



DTH Drilling Equipment

KEMAICO USA CORPORATION



GLOBAL DRILLING INDUSTRY EXPERTS

CONTENTS

DTH Hammers with foot valve	1-19
DTH Hammers without foot valve	20-47
Big Hole DTH Hammers	48-51
DTH Bits.	52-86
The others	87



High Air Pressure DTH Hammer -With Foot Valve Code

DTH Hammer With Foot Valve (i.e. MQL5)

M	QL	5
Our Company: Maxdrill	Bit shank: D- DHD Bit Shank QL5- QL50 Bit Shank SD5-SD5 Bit Shank	Inch: 5" hammer

Decomposition	Item	Part Number	Description
	1	MD3501	Top Sub
	2	MD3502	"O" Ring of Top Sub
	3	MD3503	Check Valve
	4	MD3504	Spring
	5	MD3505	Compression Buffer
	6	MD3506	Air Distributor
	7	MD3507	Internal Cylinder
	8	MD3508	Piston
	9	MD3509	External Cylinder
	10	MD3510	"O" Ring of Stop Ring
	11	MD3511	Stop Ring
	12	MD3512	Drive Chuck
	13	MD3513	Drill Bit

Product Number

MD35

Technical Parameters

Length(Less bit)	930mm
Weight(Less bit)	25.00Kg
External Diameter	Ø82mm
Bit Shank	DHD3.5
Hole Range	ø90-ø110
Connection Thread	API 2 3/8" Reg
Working Pressure	1.0-2.5Mpa
Impact Rate at 1.5Mpa	28HZ
Recommended Rotation Speed	25-40r/min
Air Consumption	145-350PSI 200-600CFM

Decomposition	Item	Part Number	Description
	1	MD4501	Top Sub
	2	MD4502	"O" Ring of Top Sub
	3	MD4503	Check Valve
	4	MD4504	Spring
	5	MD4505	Compression Buffer
	6	MD4506	Air Distributor
	7	MD4507	Internal Cylinder
	8	MD4508	Piston
	9	MD4509	External Cylinder
	10	MD4510	"O" Ring of Stop Ring
	11	MD4511	Stop Ring
	12	MD4512	Drive Chuck
	13	MD4513	Drill Bit

Product Number

MD45

Technical Parameters

Length(Less bit)	1030mm
Weight(Less bit)	39.00Kg
External Diameter	Ø99mm
Bit Shank	Cop44 / DHD340A
Hole Range	ø110-ø135
Connection Thread	API 2 3/8" Reg
Working Pressure	1.0-2.5Mpa
Impact Rate at 1.7Mpa	28HZ
Recommended Rotation Speed	25-40r/min
Air Consumption	145-350PSI 200-600CFM

Decomposition	Item	Part Number	Description
	1	MSD401	Top Sub
	2	MSD402	"O" Ring of Top Sub
	3	MSD403	Check Valve
	4	MSD404	Spring
	5	MSD405	Compression Buffer
	6	MSD406	Air Distributor
	7	MSD407	Internal Cylinder
	8	MSD408	Piston
	9	MSD409	External Cylinder
	10	MSD410	"O" Ring of Stop Ring
	11	MSD411	Stop Ring
	12	MSD412	Drive Chuck
	13	MSD413	Drill Bit

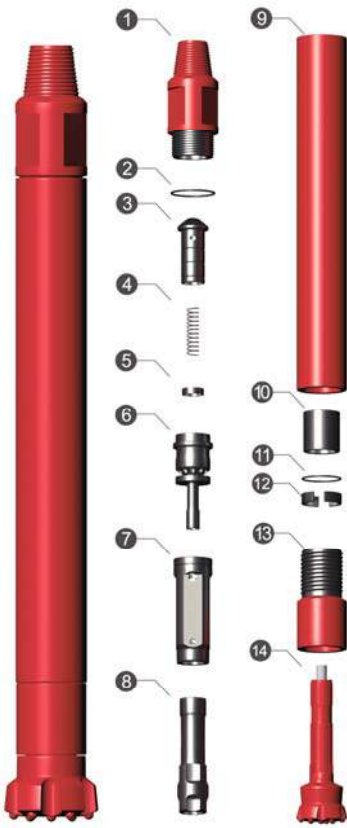
Product Number

MSD4

Technical Parameters

Length(Less bit)	1084mm
Weight(Less bit)	40.50Kg
External Diameter	Ø99mm
Bit Shank	SD4
Hole Range	Ø110-Ø135
Connection Thread	API 2 3/8" Reg
Working Pressure	1.0-2.5Mpa
Impact Rate at 1.7Mpa	28HZ
Recommended Rotation Speed	25-40r/min
Air Consumption	145-350PSI 200-600CFM

Decomposition	Item	Part Number	Description
---------------	------	-------------	-------------



1	MQL401	Top Sub
2	MQL402	"O" Ring of Top Sub
3	MQL403	Check Valve
4	MQL404	Spring
5	MQL405	Compression Buffer
6	MQL406	Air Distributor
7	MQL407	Internal Cylinder
8	MQL408	Piston
9	MQL409	External Cylinder
10	MQL410	Guided Sleeve
11	MQL411	"O" Ring of Stop Ring
12	MQL412	Stop Ring
13	MQL413	Drive Chuck
14	MQL414	Drill Bit

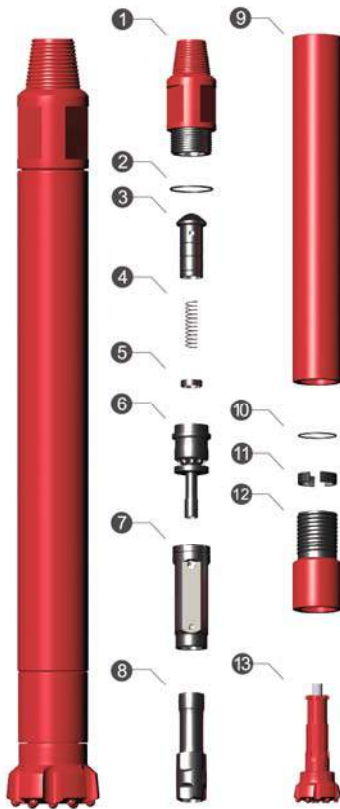
Technical Parameters

Length(Less bit)	1097mm
Weight(Less bit)	41.00Kg
External Diameter	ø99mm
Bit Shank	QL40
Hole Range	ø110-ø135
Connection Thread	API 2 3/8" Reg
Working Pressure	1.0-2.5Mpa
Impact Rate at 1.7Mpa	28HZ
Recommended Rotation Speed	25-40r/min
Air Consumption	145-350PSI 200-600CFM

Product Number

MQL4

Decomposition	Item	Part Number	Description
---------------	------	-------------	-------------



1	MD5501	Top Sub
2	MD5502	"O" Ring of Top Sub
3	MD5503	Check Valve
4	MD5504	Spring
5	MD5505	Compression Buffer
6	MD5506	Air Distributor
7	MD5507	Internal Cylinder
8	MD5508	Piston
9	MD5509	External Cylinder
10	MD5510	"O" Ring of Stop Ring
11	MD5511	Stop Ring
12	MD5512	Drive Chuck
13	MD5513	Drill Bit

Product Number

MD55

Technical Parameters

Length(Less bit)	1214mm
Weight(Less bit)	79.00Kg
External Diameter	Ø125mm
Bit Shank	Cop54 / DHD350R
Hole Range	ø135-ø155
Connection Thread	API 2 3/8" Reg API 3 1/2" Reg
Working Pressure	1.0-2.5Mpa
Impact Rate at 1.7Mpa	23HZ
Recommended Rotation Speed	20-30r/min
Air Consumption	145-350PSI 600-836CFM

Decomposition	Item	Part Number	Description
	1	MSD501	Top Sub
	2	MSD502	"O" Ring of Top Sub
	3	MSD503	Check Valve
	4	MSD504	Spring
	5	MSD505	Compression Buffer
	6	MSD506	Air Distributor
	7	MSD507	Internal Cylinder
	8	MSD508	Piston
	9	MSD509	External Cylinder
	10	MSD510	"O" Ring of Stop Ring
	11	MSD511	Stop Ring
	12	MSD512	Drive Chuck
	13	MSD513	Drill Bit

Product Number

MSD5

Technical Parameters

Length(Less bit)	1175mm
Weight(Less bit)	72.50Kg
External Diameter	Ø125mm
Bit Shank	SD5
Hole Range	ø135- ø 155
Connection Thread	API 3 1/2" Reg
Working Pressure	1.0-2.5Mpa
Impact Rate at 1.7Mpa	23HZ
Recommended Rotation Speed	20-30r/min
Air Consumption	145-350PSI 600-836CFM

Decomposition	Item	Part Number	Description
	1	MQL501	Top Sub
	2	MQL502	"O" Ring of Top Sub
	3	MQL503	Check Valve
	4	MQL504	Spring
	5	MQL505	Compression Buffer
	6	MQL506	Air Distributor
	7	MQL507	Internal Cylinder
	8	MQL508	Piston
	9	MQL509	External Cylinder
	10	MQL510	Guided Sleeve
	11	MQL511	"O" Ring of Stop Ring
	12	MQL512	Stop Ring
	13	MQL513	Drive Chuck
	14	MQL514	Drill Bit

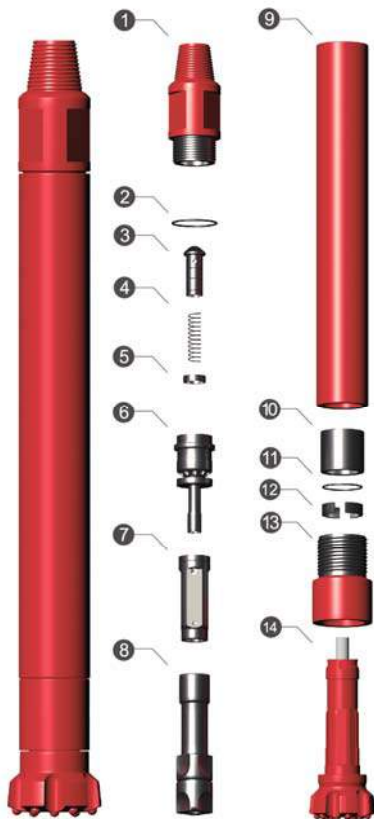
Product Number

MQL5

Technical Parameters

Length(Less bit)	1156mm
Weight(Less bit)	73.00Kg
External Diameter	Ø125mm
Bit Shank	QL50
Hole Range	Ø135- Ø 155
Connection Thread	API 3 1/2" Reg
Working Pressure	1.0-2.5Mpa
Impact Rate at 1.7Mpa	23HZ
Recommended Rotation Speed	20-30r/min
Air Consumption	145-350PSI 600-836CFM

Decomposition	Item	Part Number	Description
---------------	------	-------------	-------------



1	MD6501	Top Sub
2	MD6502	"O" Ring of Top Sub
3	MD6503	Check Valve
4	MD6504	Spring
5	MD6505	Compression Buffer
6	MD6506	Air Distributor
7	MD6507	Internal Cylinder
8	MD6508	Piston
9	MD6509	External Cylinder
10	MD6510	Guided Sleeve
11	MD6511	"O" Ring of Stop Ring
12	MD6512	Stop Ring
13	MD6513	Drive Chuck
14	MD6514	Drill Bit

Technical Parameters

Length(Less bit)	1248mm
Weight(Less bit)	100.00Kg
External Diameter	Ø142mm
Bit Shank	Cop64 / DHD 360
Hole Range	ø155- ø 190
Connection Thread	API 3 1/2" Reg
Working Pressure	1.0-2.5Mpa
Impact Rate at 1.7Mpa	23HZ
Recommended Rotation Speed	20-30r/min
Air Consumption	145-350PSI 600-836CFM

Product Number

MD65

Decomposition	Item	Part Number	Description
	1	MSD601	Top Sub
	2	MSD602	"O" Ring of Top Sub
	3	MSD603	Check Valve
	4	MSD604	Spring
	5	MSD605	Compression Buffer
	6	MSD606	Air Distributor
	7	MSD607	Internal Cylinder
	8	MSD608	Piston
	9	MSD609	External Cylinder
	10	MSD610	"O" Ring of Stop Ring
	11	MSD611	Stop Ring
	12	MSD612	Guided Sleeve
	13	MSD613	Drive Chuck
	14	MSD614	Drill Bit

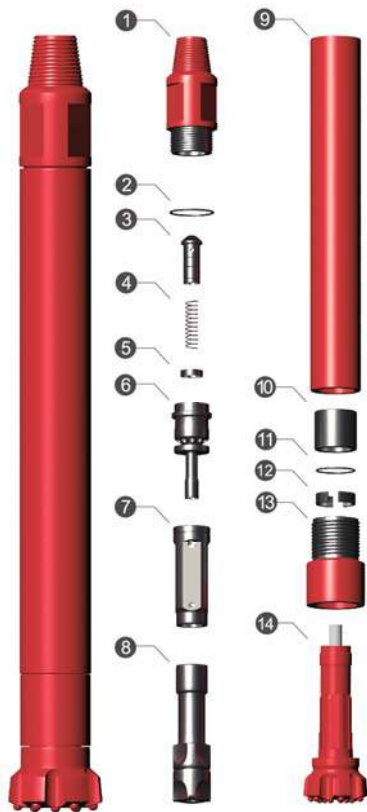
Product Number

MSD6

Technical Parameters

Length(Less bit)	1261mm
Weight(Less bit)	100.00Kg
External Diameter	Ø142mm
Bit Shank	SD6
Hole Range	ø155- ø 190
Connection Thread	API 3 1/2" Reg
Working Pressure	1.0-2.5Mpa
Impact Rate at 1.7Mpa	23HZ
Recommended Rotation Speed	20-30r/min
Air Consumption	145-350PSI 600-836CFM

Decomposition	Item	Part Number	Description
---------------	------	-------------	-------------



1	MQL601	Top Sub
2	MQL602	"O" Ring of Top Sub
3	MQL603	Check Valve
4	MQL604	Spring
5	MQL605	Compression Buffer
6	MQL606	Air Distributor
7	MQL607	Internal Cylinder
8	MQL608	Piston
9	MQL609	External Cylinder
10	MQL610	Guided Sleeve
11	MQL611	"O" Ring of Stop Ring
12	MQL612	Stop Ring
13	MQL613	Drive Chuck
14	MQL614	Drill Bit

Technical Parameters

Length(Less bit)	1212mm
Weight(Less bit)	95.00Kg
External Diameter	Ø148mm
Bit Shank	QL60
Hole Range	ø155- ø 190
Connection Thread	API 3 1/2" Reg
Working Pressure	1.0-2.5Mpa
Impact Rate at 1.7Mpa	23HZ
Recommended Rotation Speed	20-30r/min
Air Consumption	145-350PSI 600-836CFM

Product Number

MQL6

Decomposition	Item	Part Number	Description
	1	MD8501	Top Sub
	2	MD8502	"O" Ring of Top Sub
	3	MD8503	Breakout Ring
	4	MD8504	Check Valve
	5	MD8505	Spring
	6	MD8506	Compression Buffer
	7	MD8507	Air Distributor
	8	MD8508	Internal Cylinder
	9	MD8509	Piston
	10	MD8510	External Cylinder
	11	MD8511	"O" Ring of Stop Ring
	12	MD8512	Stop Ring
	13	MD8513	Drive Chuck
	14	MD8514	Drill Bit

Product Number

MD85

Technical Parameters

Length(Less bit)	1492mm
Weight(Less bit)	189.00Kg
External Diameter	ø180mm
Bit Shank	Cop84 / DHD380
Hole Range	ø195-ø254
Connection Thread	API 4 1/2" Reg
Working Pressure	1.0-2.5Mpa
Impact Rate at 1.7Mpa	20HZ
Recommended Rotation Speed	15-25r/min
Air Consumption	145-350PSI 836-1150CFM

Decomposition	Item	Part Number	Description
	1	MSD801	Top Sub
	2	MSD802	"O" Ring of Top Sub
	3	MSD803	Breakout Ring
	4	MSD804	Check Valve
	5	MSD805	Spring
	6	MSD806	Compression Buffer
	7	MSD807	Air Distributor
	8	MSD808	Internal Cylinder
	9	MSD809	Piston
	10	MSD810	External Cylinder
	11	MSD811	"O" Ring of Stop Ring
	12	MSD812	Stop Ring
	13	MSD813	Guided Sleeve
	14	MSD814	Drive Chuck
	15	MSD815	Drill Bit

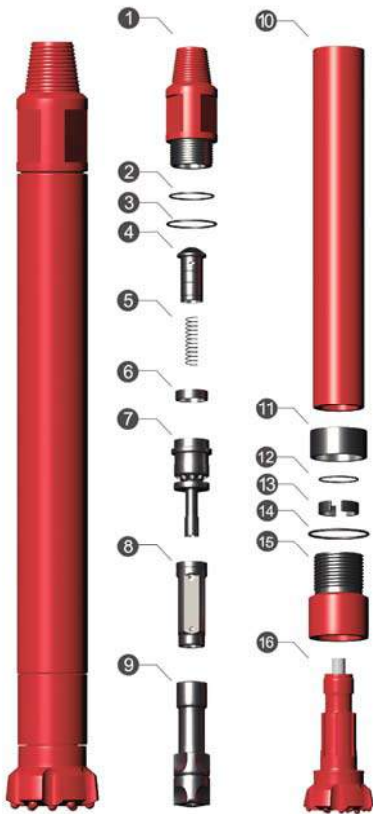
Technical Parameters

Length(Less bit)	1463mm
Weight(Less bit)	192.00Kg
External Diameter	Ø180mm
Bit Shank	SD8
Hole Range	ø195- ø 254
Connection Thread	API 4 1/2" Reg
Working Pressure	1.0-2.5Mpa
Impact Rate at 1.7Mpa	20HZ
Recommended Rotation Speed	15-25r/min
Air Consumption	145-350PSI 836-1150CFM

Product Number

MSD8

Decomposition	Item	Part Number	Description
---------------	------	-------------	-------------



1	MQL801	Top Sub
2	MQL802	"O" Ring of Top Sub
3	MQL803	Breakout Ring
4	MQL804	Check Valve
5	MQL805	Spring
6	MQL806	Compression Buffer
7	MQL807	Air Distributor
8	MQL808	Internal Cylinder
9	MQL809	Piston
10	MQL810	External Cylinder
11	MQL811	Guided Sleeve
12	MQL812	"O" Ring of Stop Ring
13	MQL813	Stop Ring
14	MQL814	Breakout Ring
15	MQL815	Drive Chuck
16	MQL816	Drill Bit

Technical Parameters

Length(Less bit)	1465mm
Weight(Less bit)	182.00Kg
External Diameter	Ø185mm
Bit Shank	QL80
Hole Range	ø195- ø 254
Connection Thread	API 4 1/2" Reg
Working Pressure	1.0-2.5Mpa
Impact Rate at 1.7Mpa	20HZ
Recommended Rotation Speed	15-25r/min
Air Consumption	145-350PSI 836-1150CFM

Product Number

MQL8

Decomposition	Item	Part Number	Description
	1	MSD1001	Top Sub
	2	MSD1002	"O" Ring of Top Sub
	3	MSD1003	Breakout Ring
	4	MSD1004	Check Valve
	5	MSD1005	Spring
	6	MSD1006	Air Distributor
	7	MSD1007	Internal Cylinder
	8	MSD1008	Piston
	9	MSD1009	External Cylinder
	10	MSD1010	"O" Ring of Stop Ring
	11	MSD1011	Stop Ring
	12	MSD1012	Guided Sleeve
	13	MSD1013	Breakout Ring
	14	MSD1014	Drive Chuck
	15	MSD1015	Drill Bit

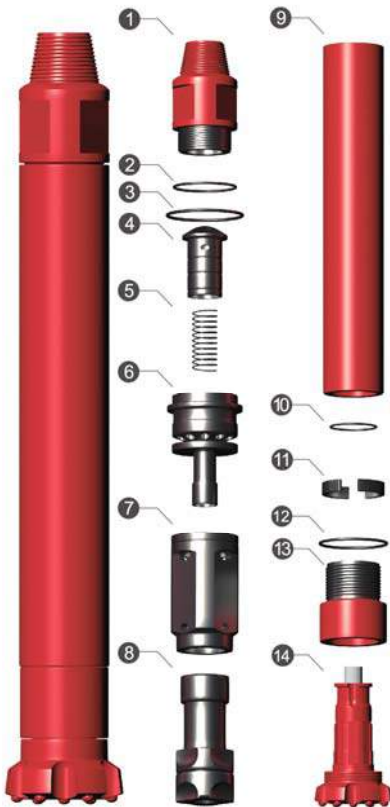
Product Number

MSD10

Technical Parameters

Length(Less bit)	1502mm
Weight(Less bit)	290.00Kg
External Diameter	Ø225mm
Bit Shank	SD10
Hole Range	ø 254- ø 311
Connection Thread	API 4 1/2" Reg API 5 1/2" Reg
Working Pressure	1.0-2.5Mpa
Impact Rate at 1.7Mpa	20HZ
Recommended Rotation Speed	15-25r/min
Air Consumption	145-350PSI 836-1150CFM

Decomposition	Item	Part Number	Description
---------------	------	-------------	-------------



1	MN10001	Top Sub
2	MN10002	"O" Ring of Top Sub
3	MN10003	Breakout Ring
4	MN10004	Check Valve
5	MN10005	Spring
6	MN10006	Air Distributor
7	MN10007	Internal Cylinder
8	MN10008	Piston
9	MN10009	External Cylinder
10	MN10010	"O" Ring of Stop Ring
11	MN10011	Stop Ring
12	MN10012	Breakout Ring
13	MN10013	Drive Chuck
14	MN10014	Drill Bit

Technical Parameters

Length(Less bit)	1510mm
Weight(Less bit)	288.00Kg
External Diameter	Ø226mm
Bit Shank	NUMA100
Hole Range	ø 254- ø 311
Connection Thread	API 6 5/8" Reg
Working Pressure	1.0-2.5Mpa
Impact Rate at 1.7Mpa	20HZ
Recommended Rotation Speed	15-25r/min
Air Consumption	145-350PSI 836-1150CFM

Product Number

MN100

Decomposition	Item	Part Number	Description
	1	MSD1201	Top Sub
	2	MSD1202	"O" Ring of Top Sub
	3	MSD1203	Breakout Ring
	4	MSD1204	Check Valve
	5	MSD1205	Spring
	6	MSD1206	Air Distributor
	7	MSD1207	Internal Cylinder
	8	MSD1208	Piston
	9	MSD1209	External Cylinder
	10	MSD1210	"O" Ring of Stop Ring
	11	MSD1211	Stop Ring
	12	MSD1212	Guided Sleeve
	13	MSD1213	Breakout Ring
	14	MSD1214	Drive Chuck
	15	MSD1215	Drill Bit

Technical Parameters

Length(Less bit)	1880mm
Weight(Less bit)	530.00Kg
External Diameter	Ø275mm
Bit Shank	SD12
Hole Range	ø 305- ø 445
Connection Thread	API 6 5/8" Reg
Working Pressure	1.0-2.5Mpa
Impact Rate at 1.7Mpa	20HZ
Recommended Rotation Speed	15-25r/min
Air Consumption	145-350PSI 836-1150CFM

Product Number

MSD12

Decomposition	Item	Part Number	Description
	1	MN12501	Top Sub
	2	MN12502	"O" Ring of Top Sub
	3	MN12503	Breakout Ring
	4	MN12504	Check Valve
	5	MN12505	Spring
	6	MN12506	Compression Buffer
	7	MN12507	Air Distributor
	8	MN12508	Internal Cylinder
	9	MN12509	Piston
	10	MN12510	External Cylinder
	11	MN12511	"O" Ring of Stop Ring
	12	MN12512	Stop Ring
	13	MN12513	Breakout Ring
	14	MN12514	Drive Chuck
	15	MN12515	Drill Bit

Product Number

MN125

Technical Parameters

Length(Less bit)	1900mm
Weight(Less bit)	480.00Kg
External Diameter	Ø275mm
Bit Shank	NUMA125
Hole Range	ø 305- ø 445
Connection Thread	API 6 5/8" Reg
Working Pressure	1.0-2.5Mpa
Impact Rate at 1.7Mpa	20HZ
Recommended Rotation Speed	15-25r/min
Air Consumption	145-350PSI 836-1150CFM



High Air Pressure -Without Foot Valve DTH Hammer Code

DTH Hammer Without Foot Valve (i.e. MQL4A)

M	QL	4	A/S
Our Company: Maxdrill	Bit shank: D- DHD Bit Shank QL4- QL40 Bit Shank SD4-SD4 Bit Shank BR1-BR1 Bit Shank M-Mission Bit Shank N-NUMA Bit Shank	Inch: 4" hammer	A-Bit without foot valve S-Smaller size than general DTH Hammer

Decomposition	Item	Part Number	Description
	1	MBR1A01	Top Sub
	2	MBR1A02	Check Valve
	3	MBR1A03	Spring
	4	MBR1A04	Air Distributor
	5	MBR1A05	Internal Cylinder
	6	MBR1A06	Piston
	7	MBR1A07	External Cylinder
	8	MBR1A08	Guided Sleeve
	9	MBR1A09	"O" Ring of Stop Ring
	10	MBR1A10	Stop Ring
	11	MBR1A11	Drive Chuck
	12	MBR1A12	Drill Bit

Product Number

MBR1A

Technical Parameters

Length(Less bit)	760mm
Weight(Less bit)	10.00Kg
External Diameter	Ø54mm
Bit Shank	BR1
Hole Range	ø 64- ø 76
Connection Thread	RD 40 / BOX
Working Pressure	1.0-2.5Mpa
Impact Rate at 1.4Mpa	28HZ
Recommended Rotation Speed	25-40r/min
Air Consumption	145-350PSI 200-600CFM

Decomposition	Item	Part Number	Description
	1	MBR2A01	Top Sub
	2	MBR2A02	Check Valve
	3	MBR2A03	Spring
	4	MBR2A04	Air Distributor
	5	MBR2A05	Internal Cylinder
	6	MBR2A06	Piston
	7	MBR2A07	External Cylinder
	8	MBR2A08	Guided Sleeve
	9	MBR2A09	"O" Ring of Stop Ring
	10	MBR2A10	Stop Ring
	11	MBR2A11	Drive Chuck
	12	MBR2A12	Drill Bit

Technical Parameters

Length(Less bit)	880mm
Weight(Less bit)	14.50Kg
External Diameter	Ø62mm
Bit Shank	BR2
Hole Range	ø 70- ø 90
Connection Thread	RD 50 / BOX
Working Pressure	1.0-2.5Mpa
Impact Rate at 1.4Mpa	28HZ
Recommended Rotation Speed	25-40r/min
Air Consumption	145-350PSI 200-600CFM

Product Number

MBR2A

Decomposition	Item	Part Number	Description
	1	MD25A01	Top Sub
	2	MD25A02	Check Valve
	3	MD25A03	Spring
	4	MD25A04	Air Distributor
	5	MD25A05	Internal Cylinder
	6	MD25A06	Piston
	7	MD25A07	External Cylinder
	8	MD25A08	Guided Sleeve
	9	MD25A09	"O" Ring of Stop Ring
	10	MD25A10	Stop Ring
	11	MD25A11	Drive Chuck
	12	MD25A12	Drill Bit

Product Number

MD25A

Technical Parameters

Length(Less bit)	872mm
Weight(Less bit)	16.00Kg
External Diameter	Ø71mm
Bit Shank	MD25
Hole Range	ø 76- ø 90
Connection Thread	T42 x 10 x 1.5
Working Pressure	1.0-2.5Mpa
Impact Rate at 1.5Mpa	28HZ
Recommended Rotation Speed	25-40r/min
Air Consumption	145-350PSI 200-600CFM

Decomposition	Item	Part Number	Description
	1	MD35A01	Top Sub
	2	MD35A02	"O" Ring of Top Sub
	3	MD35A03	Check Valve
	4	MD35A04	Spring
	5	MD35A05	Air Distributor
	6	MD35A06	Internal Cylinder
	7	MD35A07	Piston
	8	MD35A08	External Cylinder
	9	MD35A09	Guided Sleeve
	10	MD35A10	"O" Ring of Stop Ring
	11	MD35A11	Stop Ring
	12	MD35A12	Drive Chuck
	13	MD35A13	Drill Bit

Product Number

MD35A

Technical Parameters

Length(Less bit)	888mm
Weight(Less bit)	25.00Kg
External Diameter	Ø82mm
Bit Shank	IR3.5
Hole Range	ø 90- ø 115
Connection Thread	API 2 3/8" Reg
Working Pressure	1.0-2.5Mpa
Impact Rate at 1.5Mpa	28HZ
Recommended Rotation Speed	25-40r/min
Air Consumption	145-350PSI 200-600CFM

Decomposition	Item	Part Number	Description
	1	MD45A01	Top Sub
	2	MD45A02	"O" Ring of Top Sub
	3	MD45A03	Check Valve
	4	MD45A04	Spring
	5	MD45A05	Air Distributor
	6	MD45A06	Internal Cylinder
	7	MD45A07	Piston
	8	MD45A08	External Cylinder
	9	MD45A09	Guided Sleeve
	10	MD45A10	"O" Ring of Stop Ring
	11	MD45A11	Stop Ring
	12	MD45A12	Drive Chuck
	13	MD45A13	Drill Bit

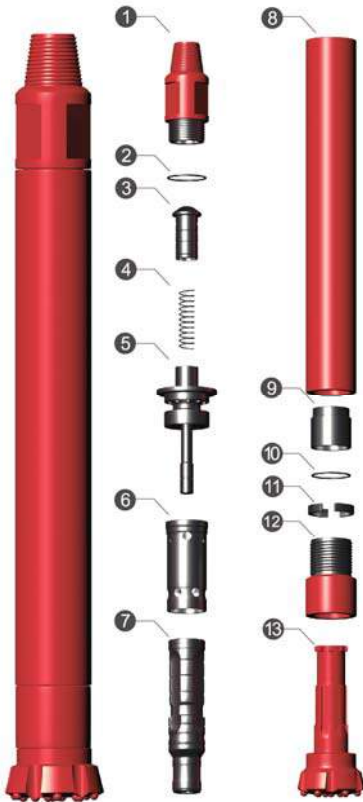
Product Number

MD45A

Technical Parameters

Length(Less bit)	1011mm
Weight(Less bit)	43.20Kg
External Diameter	Ø99mm
Bit Shank	Cop44 / DHD340A
Hole Range	ø 110- ø 135
Connection Thread	API 2 3/8" Reg
Working Pressure	1.0-2.5Mpa
Impact Rate at 1.7Mpa	28HZ
Recommended Rotation Speed	25-40r/min
Air Consumption	145-350PSI 200-600CFM

Decomposition	Item	Part Number	Description
---------------	------	-------------	-------------



1	MD45S01	Top Sub
2	MD45S02	"O" Ring of Top Sub
3	MD45S03	Check Valve
4	MD45S04	Spring
5	MD45S05	Air Distributor
6	MD45S06	Internal Cylinder
7	MD45S07	Piston
8	MD45S08	External Cylinder
9	MD45S09	Guided Sleeve
10	MD45S10	"O" Ring of Stop Ring
11	MD45S11	Stop Ring
12	MD45S12	Drive Chuck
13	MD45S13	Drill Bit

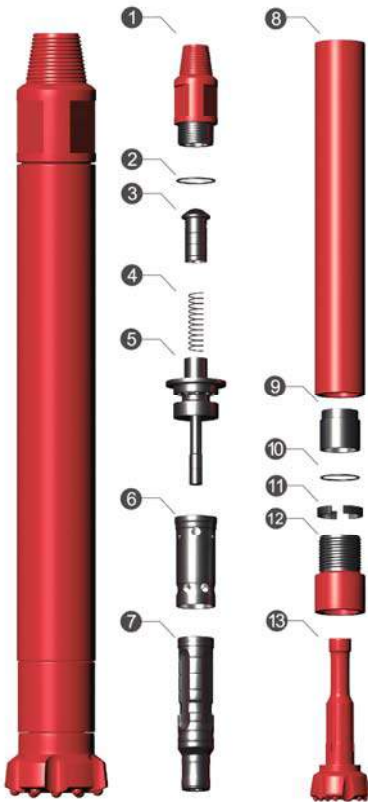
Product Number

MD45S

Technical Parameters

Length(Less bit)	986mm
Weight(Less bit)	37.00Kg
External Diameter	Ø92mm
Bit Shank	Cop44 / DHD340A
Hole Range	ø 105- ø 120
Connection Thread	API 2 3/8" Reg
Working Pressure	1.0-2.5Mpa
Impact Rate at 1.7Mpa	28HZ
Recommended Rotation Speed	25-40r/min
Air Consumption	145-350PSI 200-600CFM

Decomposition	Item	Part Number	Description
---------------	------	-------------	-------------



1	MM4A01	Top Sub
2	MM4A02	"O" Ring of Top Sub
3	MM4A03	Check Valve
4	MM4A04	Spring
5	MM4A05	Compression Buffer
6	MM4A06	Air Distributor
7	MM4A07	Piston
8	MM4A08	External Cylinder
9	MM4A09	Guided Sleeve
10	MM4A10	"O" Ring of Stop Ring
11	MM4A11	Stop Ring
12	MM4A12	Drive Chuck
13	MM4A13	Drill Bit

Technical Parameters

Length(Less bit)	1005mm
Weight(Less bit)	40.00Kg
External Diameter	Ø99mm
Bit Shank	Mission40A
Hole Range	ø 110- ø 135
Connection Thread	API 2 3/8" Reg
Working Pressure	1.0-2.5Mpa
Impact Rate at 1.7Mpa	28HZ
Recommended Rotation Speed	25-40r/min
Air Consumption	145-350PSI 200-600CFM

Product Number

MM4A

Decomposition	Item	Part Number	Description
	1	MQL4A01	Top Sub
	2	MQL4A02	"O" Ring of Top Sub
	3	MQL4A03	Check Valve
	4	MQL4A04	Spring
	5	MQL4A05	Air Distributor
	6	MQL4A06	Internal Cylinder
	7	MQL4A07	Piston
	8	MQL4A08	External Cylinder
	9	MQL4A09	Guided Sleeve
	10	MQL4A10	"O" Ring of Stop Ring
	11	MQL4A11	Stop Ring
	12	MQL4A12	Drive Chuck
	13	MQL4A13	Drill Bit

Product Number

MQL4A

Technical Parameters

Length(Less bit)	1070mm
Weight(Less bit)	40.00Kg
External Diameter	Ø99mm
Bit Shank	QL40
Hole Range	ø 110- ø 135
Connection Thread	API 2 3/8" Reg
Working Pressure	1.0-2.5Mpa
Impact Rate at 1.7Mpa	28HZ
Recommended Rotation Speed	25-40r/min
Air Consumption	145-350PSI 200-600CFM

Decomposition	Item	Part Number	Description
	1	MD55A01	Top Sub
	2	MD55A02	"O" Ring of Top Sub
	3	MD55A03	Check Valve
	4	MD55A04	Spring
	5	MD55A05	Air Distributor
	6	MD55A06	Internal Cylinder
	7	MD55A07	Piston
	8	MD55A08	External Cylinder
	9	MD55A09	Guided Sleeve
	10	MD55A10	"O" Ring of Stop Ring
	11	MD55A11	Stop Ring
	12	MD55A12	Drive Chuck
	13	MD55A13	Drill Bit

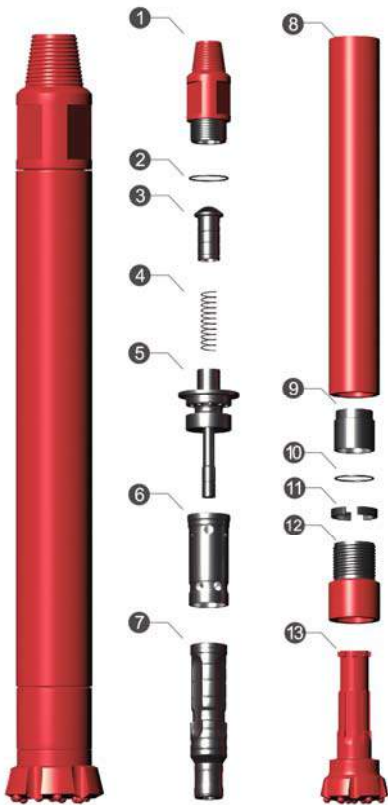
Product Number

MD55A

Technical Parameters

Length(Less bit)	1110mm
Weight(Less bit)	69.00Kg
External Diameter	Ø125mm
Bit Shank	Cop54 / DHD350R
Hole Range	ø 135- ø 155
Connection Thread	API 2 3/8" Reg API 3 1/2" Reg
Working Pressure	1.0-2.5Mpa
Impact Rate at 1.7Mpa	23HZ
Recommended Rotation Speed	20-30r/min
Air Consumption	145-350PSI 600-836CFM

Decomposition	Item	Part Number	Description
---------------	------	-------------	-------------



1	MD55S01	Top Sub
2	MD55S02	"O" Ring of Top Sub
3	MD55S03	Check Valve
4	MD55S04	Spring
5	MD55S05	Air Distributor
6	MD55S06	Internal Cylinder
7	MD55S07	Piston
8	MD55S08	External Cylinder
9	MD55S09	Guided Sleeve
10	MD55S10	"O" Ring of Stop Ring
11	MD55S11	Stop Ring
12	MD55S12	Drive Chuck
13	MD55S13	Drill Bit

Product Number

MD55S

Technical Parameters

Length(Less bit)	1110mm
Weight(Less bit)	56.00Kg
External Diameter	Ø116mm
Bit Shank	Cop54 / DHD350R
Hole Range	ø 127- ø 145
Connection Thread	API 2 3/8" Reg API 3 1/2" Reg
Working Pressure	1.0-2.5Mpa
Impact Rate at 1.7Mpa	23HZ
Recommended Rotation Speed	20-30r/min
Air Consumption	145-350PSI 600-836CFM

Decomposition	Item	Part Number	Description
	1	MM5A01	Top Sub
	2	MM5A02	"O" Ring of Top Sub
	3	MM5A03	Check Valve
	4	MM5A04	Spring
	5	MM5A05	Air Distributor
	6	MM5A06	Internal Cylinder
	7	MM5A07	Piston
	8	MM5A08	External Cylinder
	9	MM5A09	Guided Sleeve
	10	MM5A10	"O" Ring of Stop Ring
	11	MM5A11	Stop Ring
	12	MM5A12	Drive Chuck
	13	MM5A13	Drill Bit

Product Number

MM5A

Technical Parameters

Length(Less bit)	1110mm
Weight(Less bit)	73.00Kg
External Diameter	Ø125mm
Bit Shank	Mission50A
Hole Range	ø 135- ø 155
Connection Thread	API 2 3/8" Reg API 3 1/2" Reg
Working Pressure	1.0-2.5Mpa
Impact Rate at 1.7Mpa	23HZ
Recommended Rotation Speed	20-30r/min
Air Consumption	145-350PSI 600-836CFM

Decomposition	Item	Part Number	Description
	1	MSD5A01	Top Sub
	2	MSD5A02	"O" Ring of Top Sub
	3	MSD5A03	Check Valve
	4	MSD5A04	Spring
	5	MSD5A05	Air Distributor
	6	MSD5A06	Internal Cylinder
	7	MSD5A07	Piston
	8	MSD5A08	External Cylinder
	9	MSD5A09	Guided Sleeve
	10	MSD5A10	"O" Ring of Stop Ring
	11	MSD5A11	Stop Ring
	12	MSD5A12	Drive Chuck
	13	MSD5A13	Drill Bit

Product Number

MSD5A

Technical Parameters

Length(Less bit)	1090mm
Weight(Less bit)	70.00Kg
External Diameter	Ø125mm
Bit Shank	SD5
Hole Range	ø 135- ø 155
Connection Thread	API 2 3/8" Reg API 3 1/2" Reg
Working Pressure	1.0-2.5Mpa
Impact Rate at 1.7Mpa	23HZ
Recommended Rotation Speed	20-30r/min
Air Consumption	145-350PSI 600-836CFM

Decomposition	Item	Part Number	Description
	1	MQL5A01	Top Sub
	2	MQL5A02	"O" Ring of Top Sub
	3	MQL5A03	Check Valve
	4	MQL5A04	Spring
	5	MQL5A05	Air Distributor
	6	MQL5A06	Internal Cylinder
	7	MQL5A07	Piston
	8	MQL5A08	External Cylinder
	9	MQL5A09	Guided Sleeve
	10	MQL5A10	"O" Ring of Stop Ring
	11	MQL5A11	Stop Ring
	12	MQL5A12	Drive Chuck
	13	MQL5A13	Drill Bit

Product Number

MQL5A

Technical Parameters

Length(Less bit)	1090mm
Weight(Less bit)	67.00Kg
External Diameter	Ø125mm
Bit Shank	QL50
Hole Range	ø 135- ø 155
Connection Thread	API 2 3/8" Reg API 3 1/2" Reg
Working Pressure	1.0-2.5Mpa
Impact Rate at 1.7Mpa	23HZ
Recommended Rotation Speed	20-30r/min
Air Consumption	145-350PSI 600-836CFM

Decomposition	Item	Part Number	Description
	1	MD65A01	Top Sub
	2	MD65A02	"O" Ring of Top Sub
	3	MD65A03	Check Valve
	4	MD65A04	Spring
	5	MD65A05	Air Distributor
	6	MD65A06	Internal Cylinder
	7	MD65A07	Piston
	8	MD65A08	External Cylinder
	9	MD65A09	Guided Sleeve
	10	MD65A10	"O" Ring of Stop Ring
	11	MD65A11	Stop Ring
	12	MD65A12	Drive Chuck
	13	MD65A13	Drill Bit

Product Number

MD65A

Technical Parameters

Length(Less bit)	1238mm
Weight(Less bit)	99.00Kg
External Diameter	Ø148mm
Bit Shank	Cop64 / DHD360
Hole Range	ø 155- ø 203
Connection Thread	API 3 1/2" Reg
Working Pressure	1.0-2.5Mpa
Impact Rate at 1.7Mpa	23HZ
Recommended Rotation Speed	20-30r/min
Air Consumption	145-350PSI 600-836CFM

Decomposition	Item	Part Number	Description
	1	MM6A01	Top Sub
	2	MM6A02	"O" Ring of Top Sub
	3	MM6A03	Check Valve
	4	MM6A04	Spring
	5	MM6A05	Air Distributor
	6	MM6A06	Internal Cylinder
	7	MM6A07	Piston
	8	MM6A08	External Cylinder
	9	MM6A09	Guided Sleeve
	10	MM6A10	"O" Ring of Stop Ring
	11	MM6A11	Stop Ring
	12	MM6A12	Drive Chuck
	13	MM6A13	Drill Bit

Product Number

MM6A

Technical Parameters

Length(Less bit)	1161mm
Weight(Less bit)	94.00Kg
External Diameter	Ø146mm
Bit Shank	Mission60A
Hole Range	ø 155- ø 203
Connection Thread	API 3 1/2" Reg
Working Pressure	1.0-2.5Mpa
Impact Rate at 1.7Mpa	23HZ
Recommended Rotation Speed	20-30r/min
Air Consumption	145-350PSI 600-836CFM

Decomposition	Item	Part Number	Description
	1	MSD6A01	Top Sub
	2	MSD6A02	"O" Ring of Top Sub
	3	MSD6A03	Check Valve
	4	MSD6A04	Spring
	5	MSD6A05	Air Distributor
	6	MSD6A06	Internal Cylinder
	7	MSD6A07	Piston
	8	MSD6A08	External Cylinder
	9	MSD6A09	Guided Sleeve
	10	MSD6A10	"O" Ring of Stop Ring
	11	MSD6A11	Stop Ring
	12	MSD6A12	Drive Chuck
	13	MSD6A13	Drill Bit

Product Number

MSD6A

Technical Parameters

Length(Less bit)	1182mm
Weight(Less bit)	94.00Kg
External Diameter	Ø146mm
Bit Shank	SD6
Hole Range	ø 155- ø 203
Connection Thread	API 3 1/2" Reg
Working Pressure	1.0-2.5Mpa
Impact Rate at 1.7Mpa	23HZ
Recommended Rotation Speed	20-30r/min
Air Consumption	145-350PSI 600-836CFM

Decomposition	Item	Part Number	Description
	1	MQL6A01	Top Sub
	2	MQL6A02	"O" Ring of Top Sub
	3	MQL6A03	Check Valve
	4	MQL6A04	Spring
	5	MQL6A05	Air Distributor
	6	MQL6A06	Internal Cylinder
	7	MQL6A07	Piston
	8	MQL6A08	External Cylinder
	9	MQL6A09	Guided Sleeve
	10	MQL6A10	"O" Ring of Stop Ring
	11	MQL6A11	Stop Ring
	12	MQL6A12	Drive Chuck
	13	MQL6A13	Drill Bit

Product Number

MQL6A

Technical Parameters

Length(Less bit)	1183mm
Weight(Less bit)	96.50Kg
External Diameter	Ø148mm
Bit Shank	QL60
Hole Range	ø 155- ø 203
Connection Thread	API 3 1/2" Reg
Working Pressure	1.0-2.5Mpa
Impact Rate at 1.7Mpa	23HZ
Recommended Rotation Speed	20-30r/min
Air Consumption	145-350PSI 600-836CFM

Decomposition	Item	Part Number	Description
	1	MW7A01	Top Sub
	2	MW7A02	"O" Ring of Top Sub
	3	MW7A03	Check Valve
	4	MW7A04	Spring
	5	MW7A05	Air Distributor
	6	MW7A06	Internal Cylinder
	7	MW7A07	Piston
	8	MW7A08	External Cylinder
	9	MW7A09	Piston Retaining Rin
	10	MW7A10	Guided Sleeve
	11	MW7A11	Piston Retaining Rin
	12	MW7A12	Stop Ring
	13	MW7A13	Drive Chuck
	14	MW7A14	Drill Bit

Product Number

MW7-A

Technical Parameters

Length(Less bit)	1188mm
Weight(Less bit)	132.00Kg
External Diameter	Ø165mm
Bit Shank	MK70A
Hole Range	ø 175- ø 216
Connection Thread	API 3 1/2" Reg
Working Pressure	1.0-2.5Mpa
Impact Rate at 1.7Mpa	23HZ
Recommended Rotation Speed	20-30r/min
Air Consumption	145-350PSI 600-836CFM

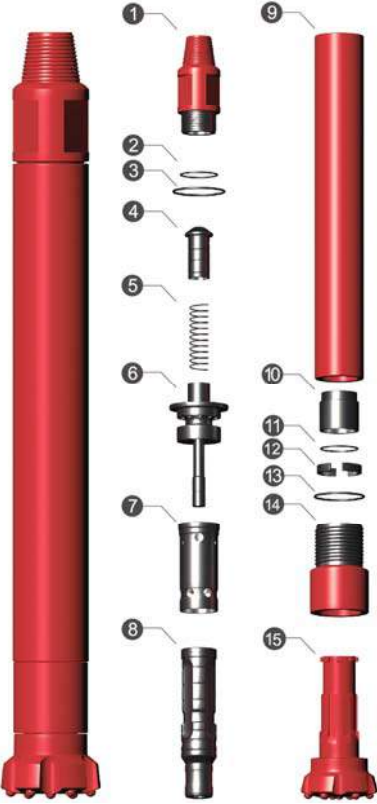
Decomposition	Item	Part Number	Description
	1	MD85A01	Top Sub
	2	MD85A02	"O" Ring of Top Sub
	3	MD85A03	Breakout Ring
	4	MD85A04	Check Valve
	5	MD85A05	Spring
	6	MD85A06	Air Distributor
	7	MD85A07	Internal Cylinder
	8	MD85A08	Piston
	9	MD85A09	External Cylinder
	10	MD85A10	Guided Sleeve
	11	MD85A11	"O" Ring of Stop Ring
	12	MD85A12	Stop Ring
	13	MD85A13	Breakout Ring
	14	MD85A14	Drive Chuck
	15	MD85A15	Drill Bit

Product Number

MD85A

Technical Parameters

Length(Less bit)	1359mm
Weight(Less bit)	185.00Kg
External Diameter	Ø185mm
Bit Shank	Cop84 / DHD380
Hole Range	ø 195- ø 254
Connection Thread	API 4 1/2" Reg
Working Pressure	1.0-2.5Mpa
Impact Rate at 1.7Mpa	20HZ
Recommended Rotation Speed	15-25r/min
Air Consumption	145-350PSI 836-1150CFM

Decomposition	Item	Part Number	Description
	1	MSD8A01	Top Sub
	2	MSD8A02	"O" Ring of Top Sub
	3	MSD8A03	Breakout Ring
	4	MSD8A04	Check Valve
	5	MSD8A05	Spring
	6	MSD8A06	Air Distributor
	7	MSD8A07	Internal Cylinder
	8	MSD8A08	Piston
	9	MSD8A09	External Cylinder
	10	MSD8A10	Guided Sleeve
	11	MSD8A11	"O" Ring of Stop Ring
	12	MSD8A12	Stop Ring
	13	MSD8A13	Breakout Ring
	14	MSD8A14	Drive Chuck
	15	MSD8A15	Drill Bit

Product Number

MSD8A

Technical Parameters

Length(Less bit)	1330mm
Weight(Less bit)	174.00Kg
External Diameter	Ø180mm
Bit Shank	SD8
Hole Range	ø 195- ø 254
Connection Thread	API 4 1/2" Reg
Working Pressure	1.0-2.5Mpa
Impact Rate at 1.7Mpa	20HZ
Recommended Rotation Speed	15-25r/min
Air Consumption	145-350PSI 836-1150CFM

Decomposition	Item	Part Number	Description
	1	MQL8A01	Top Sub
	2	MQL8A02	"O" Ring of Top Sub
	3	MQL8A03	Breakout Ring
	4	MQL8A04	Check Valve
	5	MQL8A05	Spring
	6	MQL8A06	Air Distributor
	7	MQL8A07	Internal Cylinder
	8	MQL8A08	Piston
	9	MQL8A09	External Cylinder
	10	MQL8A10	Guided Sleeve
	11	MQL8A11	"O" Ring of Stop Ring
	12	MQL8A12	Stop Ring
	13	MQL8A13	Breakout Ring
	14	MQL8A14	Drive Chuck
	15	MQL8A15	Drill Bit

Product Number

MQL8A

Technical Parameters

Length(Less bit)	1330mm
Weight(Less bit)	174.00Kg
External Diameter	Ø185mm
Bit Shank	QL80
Hole Range	ø 195- ø 254
Connection Thread	API 4 1/2" Reg
Working Pressure	1.0-2.5Mpa
Impact Rate at 1.7Mpa	20HZ
Recommended Rotation Speed	15-25r/min
Air Consumption	145-350PSI 836-1150CFM

Decomposition	Item	Part Number	Description
	1	MQL95A01	Top Sub
	2	MQL95A02	"O" Ring of Top Sub
	3	MQL95A03	Breakout Ring
	4	MQL95A04	Check Valve
	5	MQL95A05	Spring
	6	MQL95A06	Air Distributor
	7	MQL95A07	Internal Cylinder
	8	MQL95A08	Piston
	9	MQL95A09	External Cylinder
	10	MQL95A10	Guided Sleeve
	11	MQL95A11	"O" Ring of Stop Ring
	12	MQL95A12	Stop Ring
	13	MQL95A13	Breakout Ring
	14	MQL95A14	Drive Chuck
	15	MQL95A15	Drill Bit

Technical Parameters

Length(Less bit)	1340mm
Weight(Less bit)	215.00Kg
External Diameter	Ø203mm
Bit Shank	QL80
Hole Range	ø 216- ø 254
Connection Thread	API 4 1/2" Reg
Working Pressure	1.0-2.5Mpa
Impact Rate at 1.7Mpa	20HZ
Recommended Rotation Speed	15-25r/min
Air Consumption	145-350PSI 836-1150CFM

Product Number

MQL95A

Decomposition	Item	Part Number	Description
	1	MSD10A01	Top Sub
	2	MSD10A02	"O" Ring of Top Sub
	3	MSD10A03	Breakout Ring
	4	MSD10A04	Check Valve
	5	MSD10A05	Spring
	6	MSD10A06	Air Distributor
	7	MSD10A07	Internal Cylinder
	8	MSD10A08	Piston
	9	MSD10A09	External Cylinder
	10	MSD10A10	Guided Sleeve
	11	MSD10A11	"O" Ring of Stop Ring
	12	MSD10A12	Stop Ring
	13	MSD10A13	Breakout Ring
	14	MSD10A14	Drive Chuck
	15	MSD10A15	Drill Bit

Product Number

MSD10A

Technical Parameters

Length(Less bit)	1525mm
Weight(Less bit)	293.00Kg
External Diameter	Ø226mm
Bit Shank	SD10
Hole Range	ø 254- ø 311
Connection Thread	API 6 5/8" Reg
Working Pressure	1.0-2.5Mpa
Impact Rate at 1.7Mpa	20HZ
Recommended Rotation Speed	15-25r/min
Air Consumption	145-350PSI 836-1150CFM

Decomposition	Item	Part Number	Description
	1	MN100A01	Top Sub
	2	MN100A02	"O" Ring of Top Sub
	3	MN100A03	Breakout Ring
	4	MN100A04	Check Valve
	5	MN100A05	Spring
	6	MN100A06	Air Distributor
	7	MN100A07	Internal Cylinder
	8	MN100A08	Piston
	9	MN100A09	External Cylinder
	10	MN100A10	Guided Sleeve
	11	MN100A11	"O" Ring of Stop Ring
	12	MN100A12	Stop Ring
	13	MN100A13	Breakout Ring
	14	MN100A14	Drive Chuck
	15	MN100A15	Drill Bit

Product Number

MN100A

Technical Parameters

Length(Less bit)	1545mm
Weight(Less bit)	305.00Kg
External Diameter	Ø226mm
Bit Shank	NUMA100
Hole Range	ø 254- ø 311
Connection Thread	API 4 1/2" Reg API 5 1/2" Reg
Working Pressure	1.0-2.5Mpa
Impact Rate at 1.7Mpa	20HZ
Recommended Rotation Speed	15-25r/min
Air Consumption	145-350PSI 836-1150CFM

Decomposition	Item	Part Number	Description
	1	MD1120A01	Top Sub
	2	MD1120A02	"O" Ring of Top Sub
	3	MD1120A03	Breakout Ring
	4	MD1120A04	Check Valve
	5	MD1120A05	Spring
	6	MD1120A06	Air Distributor
	7	MD1120A07	Internal Cylinder
	8	MD1120A08	Piston
	9	MD1120A09	External Cylinder
	10	MD1120A10	Guided Sleeve
	11	MD1120A11	"O" Ring of Stop Ring
	12	MD1120A12	Stop Ring
	13	MD1120A13	Breakout Ring
	14	MD1120A14	Drive Chuck
	15	MD1120A15	Drill Bit

Technical Parameters

Length(Less bit)	1880mm
Weight(Less bit)	474.00Kg
External Diameter	Ø275mm
Bit Shank	DHD1120
Hole Range	ø 305- ø 445
Connection Thread	API 6 5/8" Reg
Working Pressure	1.0-2.5Mpa
Impact Rate at 1.7Mpa	20HZ
Recommended Rotation Speed	15-25r/min
Air Consumption	145-350PSI 836-1150CFM

Product Number

MD1120A

Decomposition	Item	Part Number	Description
	1	MSD12A01	Top Sub
	2	MSD12A02	"O" Ring of Top Sub
	3	MSD12A03	Breakout Ring
	4	MSD12A04	Check Valve
	5	MSD12A05	Spring
	6	MSD12A06	Air Distributor
	7	MSD12A07	Internal Cylinder
	8	MSD12A08	Piston
	9	MSD12A09	External Cylinder
	10	MSD12A10	Guided Sleeve
	11	MSD12A11	"O" Ring of Stop Ring
	12	MSD12A12	Stop Ring
	13	MSD12A13	Breakout Ring
	14	MSD12A14	Drive Chuck
	15	MSD12A15	Drill Bit

Technical Parameters

Length(Less bit)	1860mm
Weight(Less bit)	530.00Kg
External Diameter	Ø275mm
Bit Shank	SD12
Hole Range	ø 305- ø 445
Connection Thread	API 6 5/8" Reg
Working Pressure	1.0-2.5Mpa
Impact Rate at 1.7Mpa	20HZ
Recommended Rotation Speed	15-25r/min
Air Consumption	145-350PSI 836-1150CFM

Product Number

MSD12A

Decomposition	Item	Part Number	Description
	1	MN125A01	Top Sub
	2	MN125A02	"O" Ring of Top Sub
	3	MN125A03	Breakout Ring
	4	MN125A04	Check Valve
	5	MN125A05	Spring
	6	MN125A06	Air Distributor
	7	MN125A07	Internal Cylinder
	8	MN125A08	Piston
	9	MN125A09	External Cylinder
	10	MN125A10	Guided Sleeve
	11	MN125A11	"O" Ring of Stop Ring
	12	MN125A12	Stop Ring
	13	MN125A13	Breakout Ring
	14	MN125A14	Drive Chuck
	15	MN125A15	Drill Bit

Product Number

MN125A

Technical Parameters

Length(Less bit)	1880mm
Weight(Less bit)	518.00Kg
External Diameter	Ø275mm
Bit Shank	NUMA125
Hole Range	ø 305- ø 445
Connection Thread	API 6 5/8" Reg
Working Pressure	1.0-2.5Mpa
Impact Rate at 1.7Mpa	20HZ
Recommended Rotation Speed	15-25r/min
Air Consumption	145-350PSI 836-1150CFM

The Characteristics Of Big Size DTH Hammer -Using In Water Wells, Oil, Gas, and Construction Drilling

Based on the characteristics of the wells, oil, gas, and construction drilling, our company self-designed, developed and manufactured this kind of high air pressure DTH hammer.

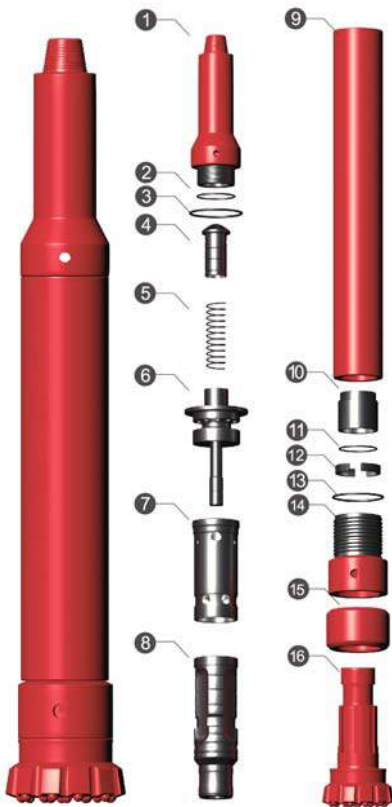
It has the following characteristics:

- ☒ Using the latest rock drilling theory, optimizing the inside structure and the size of the air distribution, to make the DTH Hammer obtain the optimal energy transfer and make it achieve faster drilling speed and lower air consumption.
- ☒ For such projects as the drill bit break, retrieving very difficult, we specially designed a safe and reliable anti shedding device for the bit.
- ☒ The check valve can be replaced to the one with bigger air controlling hole to provide more efficient cutting discharge.
- ☒ The top sub and the drive chunk have special thread, which can achieve an easier disassemble.

Big Size DTH Hammer Without Foot Valve (i.e. MD330A)

M	D	330	A
Our Company: Maxdrill	Down the hole	The O.D. of hammer is 330mm	A- Bit without foot valve

Decomposition	Item	Part Number	Description
---------------	------	-------------	-------------



1	MD330A01	Top Sub
2	MD330A02	"O" Ring of Top Sub
3	MD330A03	Breakout Ring
4	MD330A04	Check Valve
5	MD330A05	Spring
6	MD330A06	Air Distributor
7	MD330A07	Internal Cylinder
8	MD330A08	Piston
9	MD330A09	External Cylinder
10	MD330A10	Guided Sleeve
11	MD330A11	"O" Ring of Stop Ring
12	MD330A12	Stop Ring
13	MD330A13	Breakout Ring
14	MD330A14	Drive Chuck
15	MD330A15	Retainer
16	MD330A16	Drill Bit

Technical Parameters

Length(Less bit)	3870mm
Weight(Less bit)	1050.00Kg
External Diameter	Ø330mm
Bit Shank	MD330
Hole Range	ø 350- ø 660
Connection Thread	API 7 5/8" Reg
Working Pressure	1.0-2.5Mpa
Impact Rate at 1.7Mpa	20HZ
Recommended Rotation Speed	15-25r/min
Air Consumption	145-350PSI 836-1150CFM

Product Number

MD330A

Decomposition	Item	Part Number	Description
	1	MD450A01	Top Sub
	2	MD450A02	"O" Ring of Top Sub
	3	MD450A03	Breakout Ring
	4	MD450A04	Check Valve
	5	MD450A05	Spring
	6	MD450A06	Air Distributor
	7	MD450A07	Internal Cylinder
	8	MD450A08	Piston
	9	MD450A09	External Cylinder
	10	MD450A10	Guided sleeve
	11	MD450A11	Piston Retaining Ring
	12	MD450A12	Bit Retaining Ring
	13	MD450A13	Breakout Ring
	14	MD450A14	Drive Sub
	15	MD450A15	Drill Bit

Product Number

MD450A

Technical Parameters

Length(Less bit)	2195mm
Weight(Less bit)	1450.00Kg
External Diameter	Ø450mm
Bit Shank	MD450
Hole Range	ø 550- ø 700
Connection Thread	According to your request
Working Pressure	1.0-2.5Mpa
Impact Rate at 1.7Mpa	20HZ
Recommended Rotation Speed	15-25r/min
Air Consumption	145-350PSI 836-1150CFM

Decomposition	Item	Part Number	Description
	1	MD525A01	Top Sub
	2	MD525A02	"O" Ring of Top Sub
	3	MD525A03	Breakout Ring
	4	MD525A04	Check Valve
	5	MD525A05	Spring
	6	MD525A06	Air Distributor
	7	MD525A07	Internal Cylinder
	8	MD525A08	Piston
	9	MD525A09	External Cylinder
	10	MD525A10	Guided Sleeve
	11	MD525A11	"O" Ring of Stop Ring
	12	MD525A12	Stop Ring
	13	MD525A13	Breakout Ring
	14	MD525A14	Drive Sub
	15	MD525A15	Drill Bit

Product Number

MD525A

Technical Parameters

Length(Less bit)	2650mm
Weight(Less bit)	2895.00Kg
External Diameter	Ø525mm
Bit Shank	MD525
Hole Range	ø 610- ø 800
Connection Thread	According to your request
Working Pressure	1.0-2.5Mpa
Impact Rate at 1.7Mpa	20HZ
Recommended Rotation Speed	15-25r/min
Air Consumption	145-350PSI 836-1150CFM

Bit Face Shape Selection

Concave Face

The all-round application bit face specifically for medium hard and homogenous rock formations. Good hole deviation control and good flushing capacity.



Convex Face

For high penetration rates in soft to medium-hard with low to medium air pressures. It is the most resistance to steel wash, and may reduce the load and wear on the gauge buttons, but poor hole deviation control.



Flat Face

This kind of face shape is suitable for hard to very hard and abrasive rock formations in applications with high air pressures. Good penetration rates and resistance to steel wash.



DTH Bit Code (i.e. 150MQL50CC)

150	M	QL50	CC/CV/FF
Bit Diameter: 150mm	Our company: Maxdrill	Bit Shank: QL50-QL50 Bit Shank SD5-SD5 Bit Shank M50-Misson50 Bit Shank D-DHD Bit Shank N-NUMA Bit Shank	Front Design: CC-Concave CV-Convex FF-Flat Face

Carbide Button Shape Selection



Domed/ Round Button

Domed / Round buttons are usually used as gauge buttons of DTH Bits, suitable for very abrasive and very hard formations.



Parabolic/Semi-Ballistic Button

Parabolic buttons are usually used as gauge buttons and front buttons of DTH Bits, suitable for medium abrasive and hard formations.



Ballistic Button

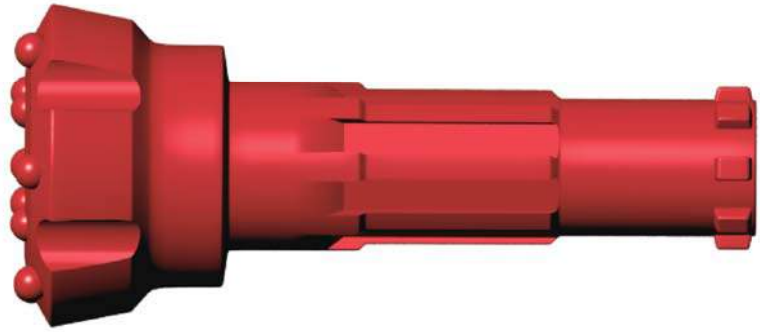
Ballistic buttons are usually used as front buttons of DTH Bits, suitable for medium abrasive and medium hard formations. They can also be used as gauge buttons if the rock is soft.



Sharp Button

Sharp buttons are usually used as front buttons of DTH Bits for soft formations where fast penetration rates are possible and button breakage is minimal.

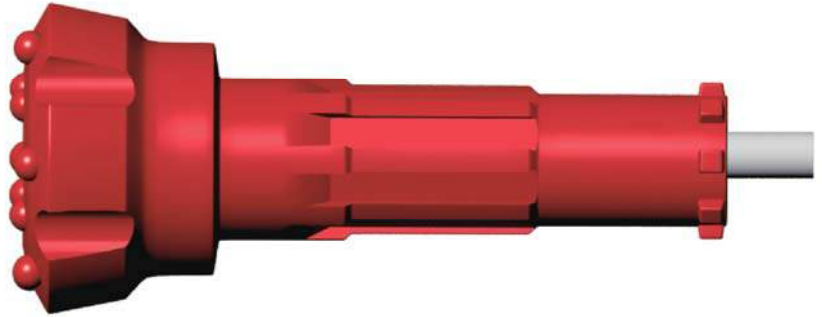
BR1



Face	Diameter		Part No.	No. x Button (mm)			Flushing holes	Weight
	Dia.	Inch		Outer	Inner	Front		kg
Flat	60	2 3/8	60MBR1FF	6 x φ9		2 x φ8	2	1.6
	64	2 1/2	64MBR1FF	6 x φ10		3 x φ10	2	1.7
	70	2 3/4	70MBR1FF	6 x φ12		4 x φ10	2	1.9
	76	3	76MBR1FF	6 x φ12		4 x φ10	2	2.0

Face	Diameter		Part No.	No. x Button (mm)			Flushing holes	Weight
	Dia.	Inch		Outer	Inner	Front		kg
Convex	60	2 3/8	64MBR1CV	6 x φ9	2 x φ9	2 x φ9	2	1.6
	64	2 1/2	70MBR1CV	6 x φ10	2 x φ10	2 x φ10	2	1.7
	70	2 3/4	76MBR1CV	6 x φ12	2 x φ10	2 x φ10	2	1.9

MD25

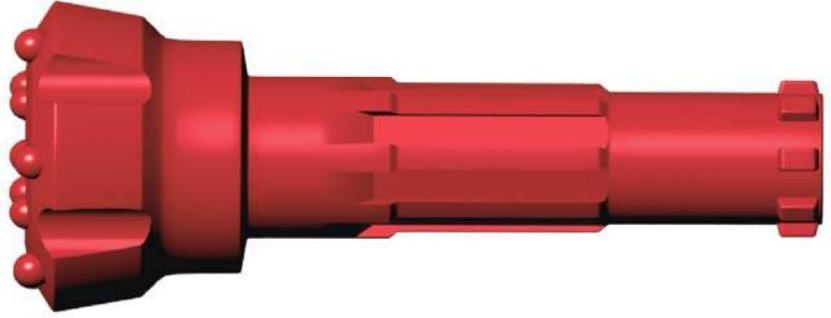


Face	Diameter		Part No.	No. x Button (mm)			Flushing holes	Weight
	Dia.	Inch		Outer	Inner	Front		kg
Flat	76	3	76MD25FF	6 x ϕ 13		5 x ϕ 10	2	3.3
	82	3 1/4	82MD25FF	6 x ϕ 13		4 x ϕ 11	2	3.5
	90	3 1/2	90MD25FF	8 x ϕ 12		5 x ϕ 12	2	3.7

Face	Diameter		Part No.	No. x Button (mm)			Flushing holes	Weight
	Dia.	Inch		Outer	Inner	Front		kg
Concave	70	2 3/4	70MD25CC	6 x ϕ 12	2 x ϕ 10	2 x ϕ 10	2	2.0
	72	2 7/8	72MD25CC	6 x ϕ 12	2 x ϕ 10	2 x ϕ 10	2	2.2
	76	3	76MD25CC	6 x ϕ 12	2 x ϕ 10	2 x ϕ 10	2	3.0
	80	3 3/16	80MD25CC	6 x ϕ 13	2 x ϕ 10	2 x ϕ 11	2	3.4

Face	Diameter		Part No.	No. x Button (mm)			Flushing holes	Weight
	Dia.	Inch		Outer	Inner	Front		kg
Convex	70	2 3/4	70MD25CV	6 x ϕ 12	2 x ϕ 10	2 x ϕ 10	2	2.0
	72	2 7/8	72MD25CV	6 x ϕ 12	2 x ϕ 10	2 x ϕ 10	2	2.2
	76	3	76MD25CV	6 x ϕ 12	2 x ϕ 10	2 x ϕ 10	2	3.0
	80	3 3/16	80MD25CV	6 x ϕ 13	2 x ϕ 10	2 x ϕ 11	2	3.4

BR2

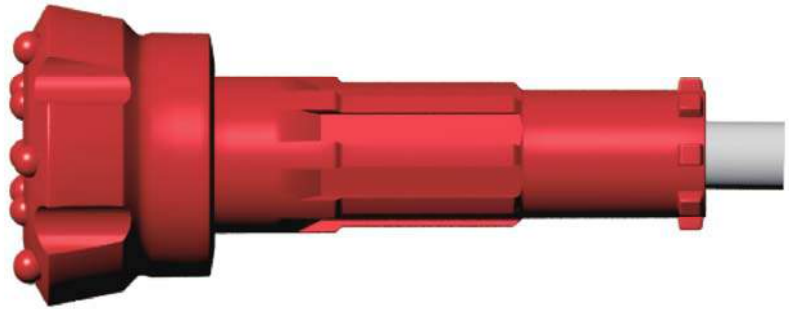


Face	Diameter		Part No.	No. x Button (mm)			Flushing holes	Weight
	Dia.	Inch		Outer	Inner	Front		kg
Flat	70	2 3/4	70MBR2FF	6 x φ12		4 x φ10	2	2.0
	72	2 7/8	72MBR2FF	6 x φ12		4 x φ10	2	2.2
	76	3	76MBR2FF	6 x φ12		5 x φ10	2	3.0
	80	3 3/16	80MBR2FF	6 x φ13		4 x φ11	2	3.4

Face	Diameter		Part No.	No. x Button (mm)			Flushing holes	Weight
	Dia.	Inch		Outer	Inner	Front		kg
Concave	70	2 3/4	70MBR2CC	6 x φ12	2 x φ10	2 x φ10	2	2.0
	72	2 7/8	72MBR2CC	6 x φ12	2 x φ10	2 x φ10	2	2.2
	76	3	76MBR2CC	6 x φ12	2 x φ10	2 x φ10	2	3.0
	80	3 3/16	80MBR2CC	6 x φ13	2 x φ10	2 x φ11	2	3.4

Face	Diameter		Part No.	No. x Button (mm)			Flushing holes	Weight
	Dia.	Inch		Outer	Inner	Front		kg
Convex	70	2 3/4	70MBR2CV	6 x φ12	2 x φ10	2 x φ10	2	2.0
	72	2 7/8	72MBR2CV	6 x φ12	2 x φ10	2 x φ10	2	2.2
	76	3	76MBR2CV	6 x φ12	2 x φ10	2 x φ10	2	3.0
	80	3 3/16	80MBR2CV	6 x φ13	2 x φ10	2 x φ11	2	3.4

**MD35
IR3.5
COP34**

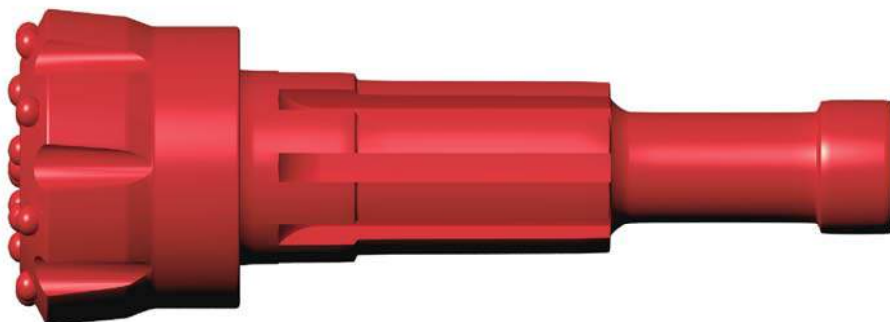


Face	Diameter		Part No.	No. x Button (mm)			Flushing holes	Weight
	Dia.	Inch		Outer	Inner	Front		kg
Flat	85	3 3/8	85MD35FF	7 x φ12		6 x φ11	2	4.9
	90	3 9/16	90MD35FF	7 x φ12		6 x φ11	2	5.0
	95	3 3/4	95MD35FF	7 x φ13		6 x φ12	2	5.1
	100	3 15/16	100MD35FF	7 x φ14		6 x φ13	2	5.3
	105	4 1/8	105MD35FF	7 x φ14		6 x φ13	2	5.5

Face	Diameter		Part No.	No. x Button (mm)			Flushing holes	Weight
	Dia.	Inch		Outer	Inner	Front		kg
Concave	85	3 3/8	85MD35CC	7 x φ12	4 x φ11	2 x φ11	2	4.9
	90	3 9/16	90MD35CC	7 x φ12	4 x φ11	2 x φ11	2	5.0
	95	3 3/4	95MD35CC	7 x φ13	4 x φ12	2 x φ12	2	5.1
	100	3 15/16	100MD35CC	7 x φ14	4 x φ13	2 x φ13	2	5.3
	105	4 1/8	105MD35CC	7 x φ14	4 x φ13	2 x φ13	2	5.5

Face	Diameter		Part No.	No. x Button (mm)			Flushing holes	Weight
	Dia.	Inch		Outer	Inner	Front		kg
Convex	85	3 3/8	85MD35CV	7 x φ12	4 x φ11	2 x φ11	2	4.9
	90	3 9/16	90MD35CV	7 x φ12	4 x φ11	2 x φ11	2	5.0
	95	3 3/4	95MD35CV	7 x φ13	4 x φ12	2 x φ12	2	5.1
	100	3 15/16	100MD35CV	7 x φ14	4 x φ13	2 x φ13	2	5.3
	105	4 1/8	105MD35CV	7 x φ14	4 x φ13	2 x φ13	2	5.5

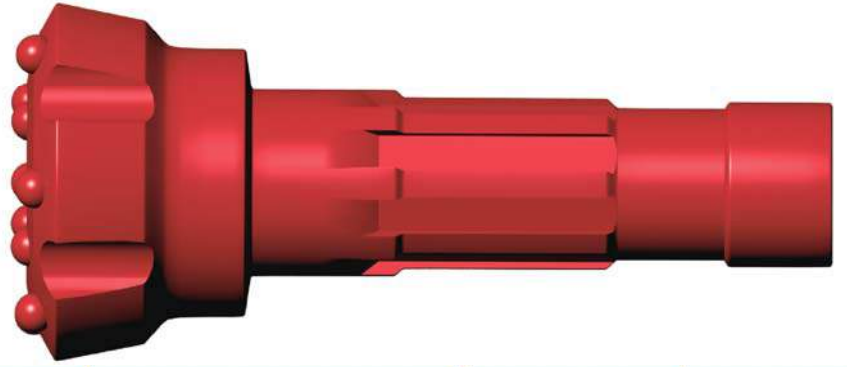
M30A



Face	Diameter		Part No.	No. x Button (mm)			Flushing holes	Weight
	Dia.	Inch		Outer	Inner	Front		kg
Flat	90	3 1/2	90MM30FF	6 x φ14		4 x φ12	2	4.5
	105	4 1/8	105MM30FF	8 x φ13		6 x φ12	2	5.0

Face	Diameter		Part No.	No. x Button (mm)			Flushing holes	Weight
	Dia.	Inch		Outer	Inner	Front		kg
Convex	90	3 1/2	90MM30CV	6 x φ14	4 x φ12	2 x φ13	2	4.5
	95	3 3/4	95MM30CV	6 x φ14	4 x φ13	2 x φ13	2	4.6
	100	3 15/16	100MM30CV	6 x φ14	4 x φ13	3 x φ13	2	4.8
	105	4 1/8	105MM30CV	6 x φ14	4 x φ13	3 x φ13	2	5.0

COP32



Face	Diameter		Part No.	No. x Button (mm)			Flushing holes	Weight
	Dia.	Inch		Outer	Inner	Front		kg
Flat	85	3 3/8	85MC32FF	7 x φ12		6 x φ11	2	4.2
	90	3 9/16	90MC32FF	7 x φ12		6 x φ11	2	4.3
	95	3 3/4	95MC32FF	7 x φ13		6 x φ12	2	4.4
	100	3 15/16	100MC32FF	7 x φ14		6 x φ13	2	4.6

Face	Diameter		Part No.	No. x Button (mm)			Flushing holes	Weight
	Dia.	Inch		Outer	Inner	Front		kg
Concave	85	3 3/8	85MC32CC	7 x φ12	4 x φ11	2 x φ11	2	4.2
	90	3 9/16	90MC32CC	7 x φ12	4 x φ11	2 x φ11	2	4.3
	95	3 3/4	95MC32CC	7 x φ13	4 x φ12	2 x φ12	2	4.4
	100	3 15/16	100MC32CC	7 x φ14	4 x φ13	2 x φ13	2	4.6

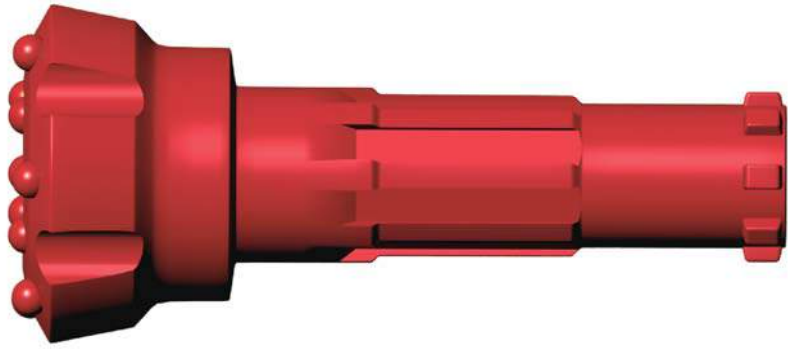
Face	Diameter		Part No.	No. x Button (mm)			Flushing holes	Weight
	Dia.	Inch		Outer	Inner	Front		kg
Convex	85	3 3/8	85MC32CV	7 x φ12	4 x φ11	2 x φ11	2	4.2
	90	3 9/16	90MC32CV	7 x φ12	4 x φ11	2 x φ11	2	4.3
	95	3 3/4	95MC32CV	7 x φ13	4 x φ12	2 x φ12	2	4.4
	100	3 15/16	100MC32CV	7 x φ14	4 x φ13	2 x φ13	2	4.6

QL30



Face	Diameter		Part No.	No. x Button (mm)			Flushing holes	Weight
	Dia.	Inch		Outer	Inner	Front		kg
Flat	85	3 3/8	85MQL30FF	6 x φ13		4 x φ12	2	4.5
	90	3 1/2	90MQL30FF	6 x φ14		4 x φ12	2	4.7
	95	3 3/4	95MQL30FF	6 x φ14		4 x φ13	2	4.9
	100	3 7/8	100MQL30FF	8 x φ12		6 x φ12	2	5.0
	105	4 1/8	105MQL30FF	8 x φ13		6 x φ12	2	5.5

BR3

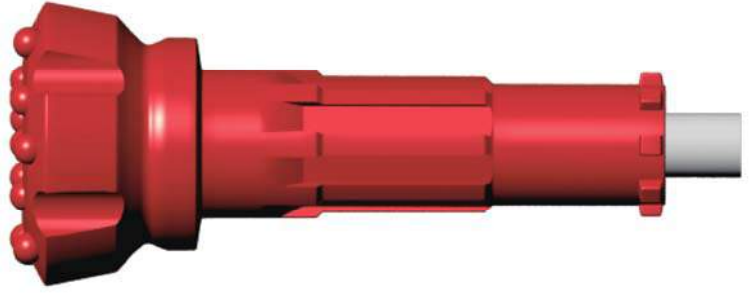


Face	Diameter		Part No.	No. x Button (mm)			Flushing holes	Weight
	Dia.	Inch		Outer	Inner	Front		kg
Flat	85	3 3/8	85MBR3FF	7 x ϕ 12		6 x ϕ 11	2	3.7
	90	3 9/16	90MBR3FF	7 x ϕ 12		6 x ϕ 11	2	3.8
	95	3 3/4	95MBR3FF	7 x ϕ 13		6 x ϕ 12	2	3.9
	100	3 15/16	100MBR3FF	7 x ϕ 14		6 x ϕ 13	2	4.1
	105	4 1/8	105MBR3FF	7 x ϕ 14		6 x ϕ 13	2	4.3

Face	Diameter		Part No.	No. x Button (mm)			Flushing holes	Weight
	Dia.	Inch		Outer	Inner	Front		kg
Concave	85	3 3/8	85MBR3CC	7 x ϕ 12	4 x ϕ 11	2 x ϕ 11	2	3.7
	90	3 9/16	90MBR3CC	7 x ϕ 12	4 x ϕ 11	2 x ϕ 11	2	3.8
	95	3 3/4	95MBR3CC	7 x ϕ 13	4 x ϕ 12	2 x ϕ 12	2	3.9
	100	3 15/16	100MBR3CC	7 x ϕ 14	4 x ϕ 13	2 x ϕ 13	2	4.1
	105	4 1/8	105MBR3CC	7 x ϕ 14	4 x ϕ 13	2 x ϕ 13	2	4.3

Face	Diameter		Part No.	No. x Button (mm)			Flushing holes	Weight
	Dia.	Inch		Outer	Inner	Front		kg
Convex	85	3 3/8	85MBR3CV	7 x ϕ 12	4 x ϕ 11	2 x ϕ 11	2	3.7
	90	3 9/16	90MBR3CV	7 x ϕ 12	4 x ϕ 11	2 x ϕ 11	2	3.8
	95	3 3/4	95MBR3CV	7 x ϕ 13	4 x ϕ 12	2 x ϕ 12	2	3.9
	100	3 15/16	100MBR3CV	7 x ϕ 14	4 x ϕ 13	2 x ϕ 13	2	4.1
	105	4 1/8	105MBR3CV	7 x ϕ 14	4 x ϕ 13	2 x ϕ 13	2	4.3

**MD45
DHD340A
COP44**



Face	Diameter		Part No.	No. x Button (mm)			Flushing holes	Weight
	Dia.	Inch		Outer	Inner	Front		kg
Flat	105	4 1/8	105MD45FF	7 x φ14		6 x φ13	2	7.7
	110	4 5/16	110MD45FF	8 x φ14		6 x φ13	2	7.8
	115	4 1/2	115MD45FF	8 x φ14		7 x φ13	2	8.3
	120	4 3/4	120MD45FF	8 x φ14		7 x φ13	2	8.7
	125	4 15/16	125MD45FF	8 x φ14		7 x φ13	2	8.9
	130	5 1/8	130MD45FF	8 x φ14		7 x φ13	2	9.0

Face	Diameter		Part No.	No. x Button (mm)			Flushing holes	Weight
	Dia.	Inch		Outer	Inner	Front		kg
Concave	105	4 1/8	105MD45CC	7 x φ14		6 x φ13	2	7.7
	110	4 5/16	110MD45CC	8 x φ14		6 x φ13	2	7.8
	115	4 1/2	115MD45CC	8 x φ14		7 x φ13	2	8.3
	120	4 3/4	120MD45CC	8 x φ14		7 x φ13	2	8.7
	125	4 15/16	125MD45CC	8 x φ14		7 x φ13	2	8.9
	130	5 1/8	130MD45CC	8 x φ14		7 x φ13	2	9.0

Face	Diameter		Part No.	No. x Button (mm)			Flushing holes	Weight
	Dia.	Inch		Outer	Inner	Front		kg
Convex	105	4 1/8	105MD45CV	7 x φ14		6 x φ13	2	7.7
	110	4 5/16	110MD45CV	8 x φ14		6 x φ13	2	7.8
	115	4 1/2	115MD45CV	8 x φ14		7 x φ13	2	8.3
	120	4 3/4	120MD45CV	8 x φ14		7 x φ13	2	8.7
	125	4 15/16	125MD45CV	8 x φ14		7 x φ13	2	8.9
	130	5 1/8	130MD45CV	8 x φ14		7 x φ13	2	9.0

M40A



Face	Diameter		Part No.	No. x Button (mm)			Flushing holes	Weight
	Dia.	Inch		Outer	Inner	Front		kg
Flat	105	4 1/8	105MM40FF	7 x φ14		6 x φ13	2	7.7
	110	4 5/16	110MM40FF	8 x φ14		6 x φ13	2	7.8
	115	4 1/2	115MM40FF	8 x φ14		7 x φ13	2	8.3
	120	4 3/4	120MM40FF	8 x φ14		7 x φ13	2	8.7
	125	4 15/16	125MM40FF	8 x φ14		7 x φ13	2	8.9
	130	5 1/8	130MM40FF	8 x φ14		7 x φ13	2	9.0

Face	Diameter		Part No.	No. x Button (mm)			Flushing holes	Weight
	Dia.	Inch		Outer	Inner	Front		kg
Concave	105	4 1/8	105MM40CC	7 x φ14		6 x φ13	2	7.7
	110	4 5/16	110MM40CC	8 x φ14		6 x φ13	2	7.8
	115	4 1/2	115MM40CC	8 x φ14		7 x φ13	2	8.3
	120	4 3/4	120MM40CC	8 x φ14		7 x φ13	2	8.7
	125	4 15/16	125MM40CC	8 x φ14		7 x φ13	2	8.9
	130	5 1/8	130MM40CC	8 x φ14		7 x φ13	2	9.0

Face	Diameter		Part No.	No. x Button (mm)			Flushing holes	Weight
	Dia.	Inch		Outer	Inner	Front		kg
Convex	105	4 1/8	105MM40CV	7 x φ14		6 x φ13	2	7.7
	110	4 5/16	110MM40CV	8 x φ14		6 x φ13	2	7.8
	115	4 1/2	115MM40CV	8 x φ14		7 x φ13	2	8.3
	120	4 3/4	120MM40CV	8 x φ14		7 x φ13	2	8.7
	125	4 15/16	125MM40CV	8 x φ14		7 x φ13	2	8.9
	130	5 1/8	130MM40CV	8 x φ14		7 x φ13	2	9.0

SD4

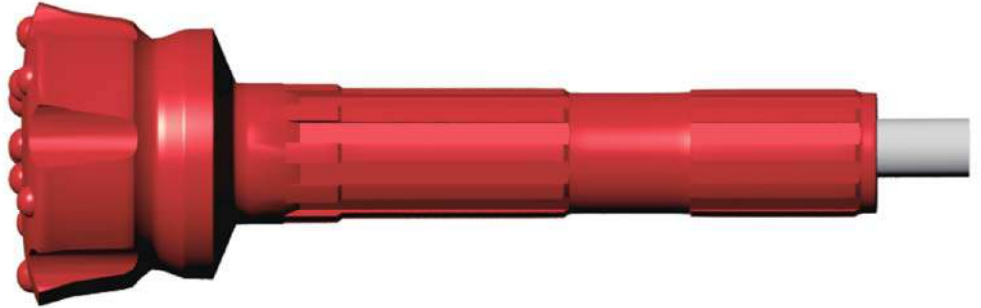


Face	Diameter		Part No.	No. x Button (mm)			Flushing holes	Weight
	Dia.	Inch		Outer	Inner	Front		kg
Flat	105	4 1/8	105MSD4FF	7 x φ14		6 x φ13	2	8.9
	110	4 5/16	110MSD4FF	8 x φ14		6 x φ13	2	9.0
	115	4 1/2	115MSD4FF	8 x φ14		7 x φ13	2	9.4
	120	4 3/4	120MSD4FF	8 x φ14		7 x φ13	2	9.9
	125	4 15/16	125MSD4FF	8 x φ14		7 x φ13	2	10.1
	130	5 1/8	130MSD4FF	8 x φ14		7 x φ13	2	10.2

Face	Diameter		Part No.	No. x Button (mm)			Flushing holes	Weight
	Dia.	Inch		Outer	Inner	Front		kg
Concave	105	4 1/8	105MSD4CC	7 x φ14		6 x φ13	2	8.9
	110	4 5/16	110MSD4CC	8 x φ14		6 x φ13	2	9.0
	115	4 1/2	115MSD4CC	8 x φ14		7 x φ13	2	9.4
	120	4 3/4	120MSD4CC	8 x φ14		7 x φ13	2	9.9
	125	4 15/16	125MSD4CC	8 x φ14		7 x φ13	2	10.1
	130	5 1/8	130MSD4CC	8 x φ14		7 x φ13	2	10.2

Face	Diameter		Part No.	No. x Button (mm)			Flushing holes	Weight
	Dia.	Inch		Outer	Inner	Front		kg
Convex	105	4 1/8	105MSD4CV	7 x φ14		6 x φ13	2	8.9
	110	4 5/16	110MSD4CV	8 x φ14		6 x φ13	2	9.0
	115	4 1/2	115MSD4CV	8 x φ14		7 x φ13	2	9.4
	120	4 3/4	120MSD4CV	8 x φ14		7 x φ13	2	9.9
	125	4 15/16	125MSD4CV	8 x φ14		7 x φ13	2	10.1
	130	5 1/8	130MSD4CV	8 x φ14		7 x φ13	2	10.2

QL40

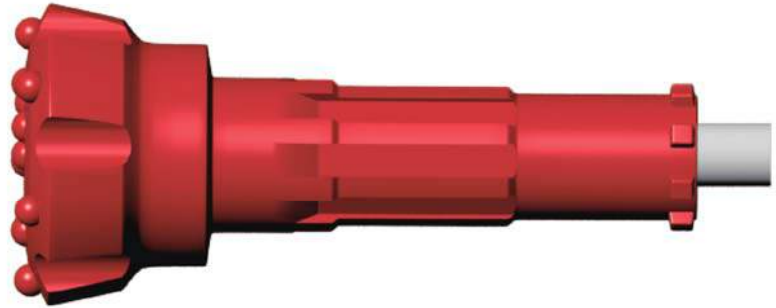


Face	Diameter		Part No.	No. x Button (mm)			Flushing holes	Weight
	Dia.	Inch		Outer	Inner	Front		kg
Flat	105	4 1/8	105MQL40FF	7 x φ14		6 x φ13	2	9.0
	110	4 5/16	110MQL40FF	8 x φ14		6 x φ13	2	9.1
	115	4 1/2	115MQL40FF	8 x φ14		7 x φ13	2	9.5
	120	4 3/4	120MQL40FF	8 x φ14		7 x φ13	2	10.0
	125	4 15/16	125MQL40FF	8 x φ14		7 x φ13	2	10.2
	130	5 1/8	130MQL40FF	8 x φ14		7 x φ13	2	10.3

Face	Diameter		Part No.	No. x Button (mm)			Flushing holes	Weight
	Dia.	Inch		Outer	Inner	Front		kg
Concave	105	4 1/8	105MQL40CC	7 x φ14		6 x φ13	2	9.0
	110	4 5/16	110MQL40CC	8 x φ14		6 x φ13	2	9.1
	115	4 1/2	115MQL40CC	8 x φ14		7 x φ13	2	9.5
	120	4 3/4	120MQL40CC	8 x φ14		7 x φ13	2	10.0
	125	4 15/16	125MQL40CC	8 x φ14		7 x φ13	2	10.2
	130	5 1/8	130MQL40CC	8 x φ14		7 x φ13	2	10.3

Face	Diameter		Part No.	No. x Button (mm)			Flushing holes	Weight
	Dia.	Inch		Outer	Inner	Front		kg
Convex	105	4 1/8	105MQL40CV	7 x φ14		6 x φ13	2	9.0
	110	4 5/16	110MQL40CV	8 x φ14		6 x φ13	2	9.1
	115	4 1/2	115MQL40CV	8 x φ14		7 x φ13	2	9.5
	120	4 3/4	120MQL40CV	8 x φ14		7 x φ13	2	10.0
	125	4 15/16	125MQL40CV	8 x φ14		7 x φ13	2	10.2
	130	5 1/8	130MQL40CV	8 x φ14		7 x φ13	2	10.3

**MD55
DHD350R
COP54**

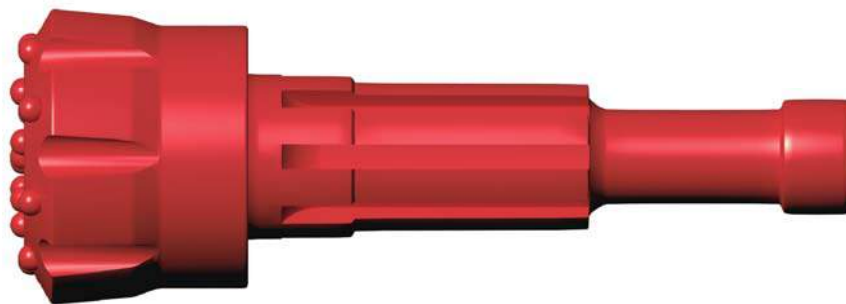


Face	Diameter		Part No.	No. x Button (mm)			Flushing holes	Weight
	Dia.	Inch		Outer	Inner	Front		kg
Flat	140	5 1/2	140MD55FF	7 x φ18		7 x φ14	2	17
	146	5 3/4	146MD55FF	7 x φ18		7 x φ14	2	18
	150	5 7/8	150MD55FF	8 x φ18		8 x φ14	2	19
	152	6	152MD55FF	8 x φ18		8 x φ14	2	20

Face	Diameter		Part No.	No. x Button (mm)			Flushing holes	Weight
	Dia.	Inch		Outer	Inner	Front		kg
Concave	140	5 1/2	140MD55CC	7 x φ18	4 x φ14	3 x φ14	2	17
	146	5 3/4	146MD55CC	7 x φ18	4 x φ14	3 x φ14	2	18
	150	5 7/8	150MD55CC	8 x φ18	4 x φ14	4 x φ14	2	19
	152	6	152MD55CC	8 x φ18	4 x φ14	4 x φ14	2	20

Face	Diameter		Part No.	No. x Button (mm)			Flushing holes	Weight
	Dia.	Inch		Outer	Inner	Front		kg
Convex	140	5 1/2	140MD55CV	7 x φ18	4 x φ14	3 x φ14	2	17
	146	5 3/4	146MD55CV	7 x φ18	4 x φ14	3 x φ14	2	18
	150	5 7/8	150MD55CV	8 x φ18	4 x φ14	4 x φ14	2	19
	152	6	152MD55CV	8 x φ18	4 x φ14	4 x φ14	2	20

M50A



Face	Diameter		Part No.	No. x Button (mm)			Flushing holes	Weight
	Dia.	Inch		Outer	Inner	Front		kg
Flat	140	5 1/2	140MM50FF	7 x φ18		7 x φ14	2	15.7
	146	5 3/4	146MM50FF	7 x φ18		7 x φ14	2	16.7
	150	5 7/8	150MM50FF	8 x φ18		8 x φ14	2	17.7
	152	6	152MM50FF	8 x φ18		8 x φ14	2	18.7

Face	Diameter		Part No.	No. x Button (mm)			Flushing holes	Weight
	Dia.	Inch		Outer	Inner	Front		kg
Concave	140	5 1/2	140MM50CC	7 x φ18	4 x φ14	3 x φ14	2	15.7
	146	5 3/4	146MM50CC	7 x φ18	4 x φ14	3 x φ14	2	16.7
	150	5 7/8	150MM50CC	8 x φ18	4 x φ14	4 x φ14	2	17.7
	152	6	152MM50CC	8 x φ18	4 x φ14	4 x φ14	2	18.7

Face	Diameter		Part No.	No. x Button (mm)			Flushing holes	Weight
	Dia.	Inch		Outer	Inner	Front		kg
Convex	140	5 1/2	140MM50CV	7 x φ18	4 x φ14	3 x φ14	2	15.7
	146	5 3/4	146MM50CV	7 x φ18	4 x φ14	3 x φ14	2	16.7
	150	5 7/8	150MM50CV	8 x φ18	4 x φ14	4 x φ14	2	17.7
	152	6	152MM50CV	8 x φ18	4 x φ14	4 x φ14	2	18.7

SD5

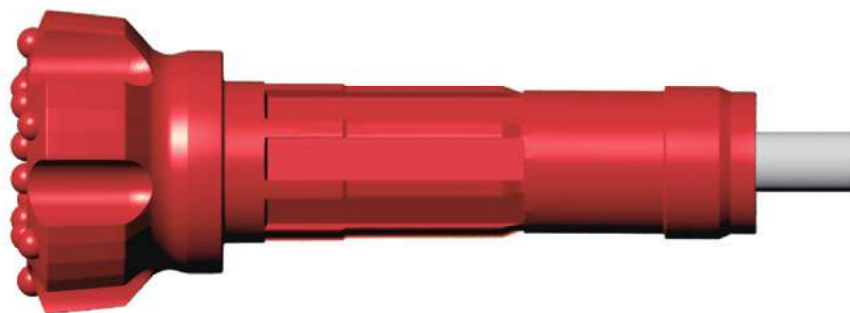


Face	Diameter		Part No.	No. x Button (mm)			Flushing holes	Weight
	Dia.	Inch		Outer	Inner	Front		kg
Flat	140	5 1/2	140MSD5FF	7 x φ18		7 x φ14	2	16.5
	146	5 3/4	146MSD5FF	7 x φ18		7 x φ14	2	17.5
	150	5 7/8	150MSD5FF	8 x φ18		8 x φ14	2	18.5
	152	6	152MSD5FF	8 x φ18		8 x φ14	2	19.5

Face	Diameter		Part No.	No. x Button (mm)			Flushing holes	Weight
	Dia.	Inch		Outer	Inner	Front		kg
Concave	140	5 1/2	140MSD5CC	7 x φ18	4 x φ14	3 x φ14	2	16.5
	146	5 3/4	146MSD5CC	7 x φ18	4 x φ14	3 x φ14	2	17.5
	150	5 7/8	150MSD5CC	8 x φ18	4 x φ14	4 x φ14	2	18.5
	152	6	152MSD5CC	8 x φ18	4 x φ14	4 x φ14	2	19.5

Face	Diameter		Part No.	No. x Button (mm)			Flushing holes	Weight
	Dia.	Inch		Outer	Inner	Front		kg
Convex	140	5 1/2	140MSD5CV	7 x φ18	4 x φ14	3 x φ14	2	16.5
	146	5 3/4	146MSD5CV	7 x φ18	4 x φ14	3 x φ14	2	17.5
	150	5 7/8	150MSD5CV	8 x φ18	4 x φ14	4 x φ14	2	18.5
	152	6	152MSD5CV	8 x φ18	4 x φ14	4 x φ14	2	19.5

QL50



Face	Diameter		Part No.	No. x Button (mm)			Flushing holes	Weight
	Dia.	Inch		Outer	Inner	Front		kg
Flat	140	5 1/2	140MQL50FF	7 x φ18		7 x φ14	2	16.5
	146	5 3/4	146MQL50FF	7 x φ18		7 x φ14	2	17.5
	150	5 7/8	150MQL50FF	8 x φ18		8 x φ14	2	18.5
	152	6	152MQL50FF	8 x φ18		8 x φ14	2	19.5

Face	Diameter		Part No.	No. x Button (mm)			Flushing holes	Weight
	Dia.	Inch		Outer	Inner	Front		kg
Concave	140	5 1/2	140MQL50CC	7 x φ18	4 x φ14	3 x φ14	2	16.5
	146	5 3/4	146MQL50CC	7 x φ18	4 x φ14	3 x φ14	2	17.5
	150	5 7/8	150MQL50CC	8 x φ18	4 x φ14	4 x φ14	2	18.5
	152	6	152MQL50CC	8 x φ18	4 x φ14	4 x φ14	2	19.5

Face	Diameter		Part No.	No. x Button (mm)			Flushing holes	Weight
	Dia.	Inch		Outer	Inner	Front		kg
Convex	140	5 1/2	140MQL50CV	7 x φ18	4 x φ14	3 x φ14	2	16.5
	146	5 3/4	146MQL50CV	7 x φ18	4 x φ14	3 x φ14	2	17.5
	150	5 7/8	150MQL50CV	8 x φ18	4 x φ14	4 x φ14	2	18.5
	152	6	152MQL50CV	8 x φ18	4 x φ14	4 x φ14	2	19.5

**MD65
DHD360
COP64**

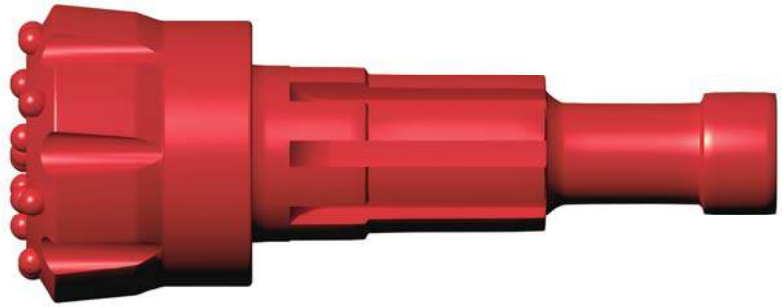


Face	Diameter		Part No.	No. x Button (mm)			Flushing holes	Weight
	Dia.	Inch		Outer	Inner	Front		kg
Flat	152	6	152MD66FF	8 x φ16		8 x φ16	2	20
	156	6 1/4	156MD65FF	8 x φ16		8 x φ16	2	23
	160	6 5/16	160MD65FF	8 x φ18		9 x φ16	2	24
	165	6 1/2	165MD65FF	8 x φ18		8 x φ16	2	25
	171	6 3/4	171MD65FF	10 x φ18		10 x φ16	2	26
	178	7	178MD65FF	10 x φ18		10 x φ16	2	27

Face	Diameter		Part No.	No. x Button (mm)			Flushing holes	Weight
	Dia.	Inch		Outer	Inner	Front		kg
Concave	152	6	152MD65CC	8 x φ16	4 x φ16	4 x φ16	2	20
	156	6 1/4	156MD65CC	8 x φ16	4 x φ16	4 x φ16	2	23
	159	6 1/8	159MD65CC	8 x φ16	4 x φ16	4 x φ16	2	24
	165	6 1/2	165MD65CC	8 x φ18	4 x φ18	4 x φ16	2	25
	171	6 3/4	171MD65CC	8 x φ18	4 x φ18	4 x φ16	2	26
	178	7	178MD65CC	8 x φ19	4 x φ18	5 x φ16	2	27
	190	7 1/2	190MD65CC	10 x φ19	5 x φ18	5 x φ16	2	28
	203	8	203MD65CC	10 x φ19	6 x φ18	7 x φ16	2	29

Face	Diameter		Part No.	No. x Button (mm)			Flushing holes	Weight
	Dia.	Inch		Outer	Inner	Front		kg
Convex	165	6 1/2	165MD65CV	9 x φ19	6X x 19	5 x φ19	3	25
	171	6 3/4	171MD65CV	9 x φ19	6X x 19	5 x φ19	3	26

M60A

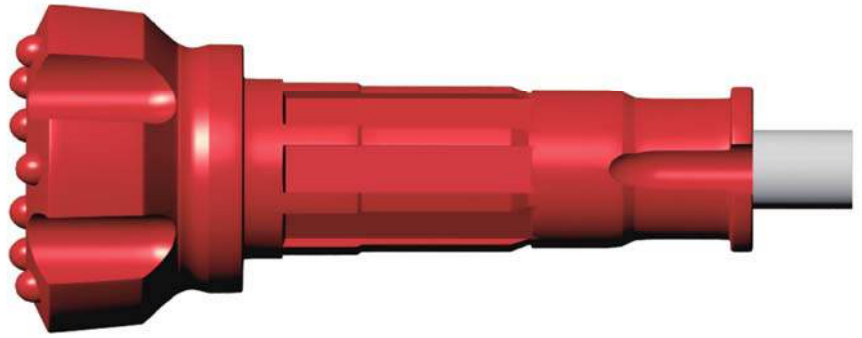


Face	Diameter		Part No.	No. x Button (mm)			Flushing holes	Weight
	Dia.	Inch		Outer	Inner	Front		kg
Flat	152	6	152MM60FF	8 x φ16		8 x φ16	2	18
	156	6 1/4	156MM60FF	8 x φ16		8 x φ16	2	21
	160	6 5/16	160MM60FF	8 x φ18		9 x φ16	2	22
	165	6 1/2	165MM60FF	8 x φ18		8 x φ16	2	23
	171	6 3/4	171MM60FF	10 x φ18		10 x φ16	2	24
	178	7	178MM60FF	10 x φ18		10 x φ16	2	25

Face	Diameter		Part No.	No. x Button (mm)			Flushing holes	Weight
	Dia.	Inch		Outer	Inner	Front		kg
Concave	152	6	152MM60CC	8 x φ16	4 x φ16	4 x φ16	2	18
	156	6 1/4	156MM60CC	8 x φ16	4 x φ16	4 x φ16	2	21
	160	6 1/8	160MM60CC	8 x φ16	4 x φ16	4 x φ16	2	22
	165	6 1/2	165MM60CC	8 x φ18	4 x φ18	4 x φ16	2	23
	171	6 3/4	171MM60CC	8 x φ18	4 x φ18	4 x φ16	2	24
	178	7	178MM60CC	8 x φ19	4 x φ18	5 x φ16	2	25
	190	7 1/2	190MM60CC	10 x φ19	5 x φ18	5 x φ16	2	26
	203	8	203MM60CC	10 x φ19	6 x φ18	7 x φ16	2	27

Face	Diameter		Part No.	No. x Button (mm)			Flushing holes	Weight
	Dia.	Inch		Outer	Inner	Front		kg
Convex	165	6 1/2	165MM60CV	9 x φ19	6 x φ19	5 x φ19	3	23
	171	6 3/4	171MM60CV	9 x φ19	6 x φ19	5 x φ19	3	24

SD6



Face	Diameter		Part No.	No. x Button (mm)			Flushing holes	Weight
	Dia.	Inch		Outer	Inner	Front		kg
Flat	152	6	152MSD6FF	8 x φ16		8 x φ16	2	22
	156	6 1/4	156MSD6FF	8 x φ16		8 x φ16	2	23
	160	6 5/16	160MSD6FF	8 x φ18		9 x φ16	2	24
	165	6 1/2	165MSD6FF	8 x φ18		8 x φ16	2	25
	171	6 3/4	171MSD6FF	10 x φ18		10 x φ16	2	26
	178	7	178MSD6FF	10 x φ18		10 x φ16	2	27

Face	Diameter		Part No.	No. x Button (mm)			Flushing holes	Weight
	Dia.	Inch		Outer	Inner	Front		kg
Concave	152	6	152MSD6CC	8 x φ16	4 x φ16	4 x φ16	2	22
	156	6 1/4	156MSD6CC	8 x φ16	4 x φ16	4 x φ16	2	23
	159	6 1/8	160MSD6CC	8 x φ16	4 x φ16	4 x φ16	2	24
	165	6 1/2	165MSD6CC	8 x φ18	4 x φ18	4 x φ16	2	25
	171	6 3/4	171MSD6CC	8 x φ18	4 x φ18	4 x φ16	2	26
	178	7	178MSD6CC	8 x φ19	4 x φ18	5 x φ16	2	27
	190	7 1/2	190MSD6CC	10 x φ19	5 x φ18	5 x φ16	2	28
	203	8	203MSD6CC	10xφ19	6 x φ18	7 x φ16	2	29

Face	Diameter		Part No.	No. x Button (mm)			Flushing holes	Weight
	Dia.	Inch		Outer	Inner	Front		kg
Convex	165	6 1/2	165MSD6CV	9 x φ19	6 x φ19	5 x φ19	3	25
	171	6 3/4	171MSD6CV	9 x φ19	6 x φ19	5 x φ19	3	26

QL60

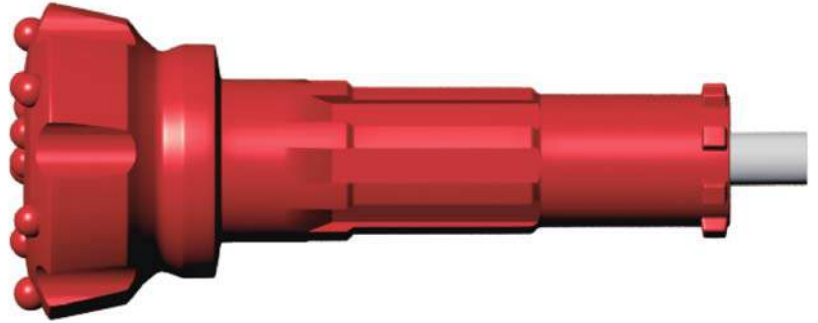


Face	Diameter		Part No.	No. x Button (mm)			Flushing holes	Weight
	Dia.	Inch		Outer	Inner	Front		kg
Flat	152	6	152MQL60FF	8 x φ 16		8 x φ 16	2	20
	156	6 1/4	156MQL60FF	8 x φ 16		8 x φ 16	2	23
	160	6 5/16	160MQL60FF	8 x φ 18		9 x φ 16	2	24
	165	6 1/2	165MQL60FF	8 x φ 18		8 x φ 16	2	25
	171	6 3/4	171MQL60FF	10 x φ 18		10 x φ 16	2	26
	178	7	178MQL60FF	10 x φ 18		10 x φ 16	2	27

Face	Diameter		Part No.	No. x Button (mm)			Flushing holes	Weight
	Dia.	Inch		Outer	Inner	Front		kg
Concave	152	6	152MQL60CC	8 x φ 16	4 x φ 16	4 x φ 16	2	20
	156	6 1/4	156MQL60CC	8 x φ 16	4 x φ 16	4 x φ 16	2	23
	159	6 1/8	160MQL60CC	8 x φ 16	4 x φ 16	4 x φ 16	2	24
	165	6 1/2	165MQL60CC	8 x φ 18	4 x φ 18	4 x φ 16	2	25
	171	6 3/4	171MQL60CC	8 x φ 18	4 x φ 18	4 x φ 16	2	26
	178	7	178MQL60CC	8 x φ 19	4 x φ 18	5 x φ 16	2	27
	190	7 1/2	190MQL60CC	10 x φ 19	5 x φ 18	5 x φ 16	2	28
	203	8	203MQL60CC	10 x φ 19	6 x φ 18	7 x φ 16	2	29

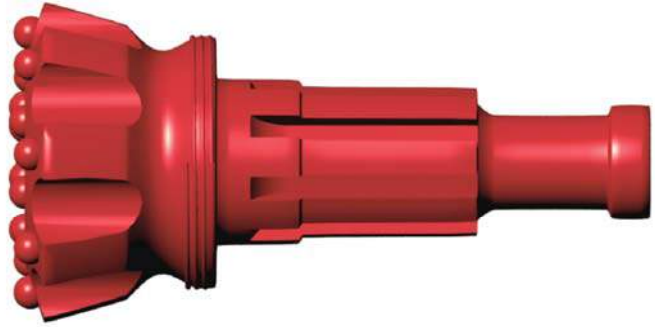
Face	Diameter		Part No.	No. x Button (mm)			Flushing holes	Weight
	Dia.	Inch		Outer	Inner	Front		kg
Convex	165	6 1/2	165MQL60CV	9 x φ 19	6 x φ 19	5 x φ 19	3	25
	171	6 3/4	171MQL60CV	9 x φ 19	6 x φ 19	5 x φ 19	3	26

**MD85
DHD380
COP84**



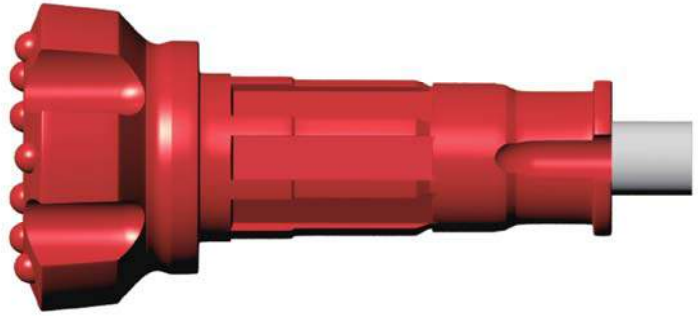
Face	Diameter		Part No.	No. x Button (mm)			Flushing holes	Weight
	Dia.	Inch		Outer	Inner	Front		kg
Concave	200	7 7/8	200MD85CC	10 x φ19	8 x φ18	6 x φ16	2	48
	203	8	203MD85CC	10 x φ19	8 x φ18	6 x φ16	2	49
	222	8 3/4	222MD85CC	12 x φ19	9 x φ18	8 x φ16	3	55
	225	8 7/8	225MD85CC	12 x φ19	9 x φ18	8 x φ16	3	56
	240	9 1/2	240MD85CC	12 x φ19	9 x φ18	9 x φ16	3	57
	245	9 2/3	245MD85CC	12 x φ19	9 x φ18	9 x φ16	3	58
	251	9 7/8	251MD85CC	12 x φ19	12 x φ18	10 x φ16	3	60
254	10	254MD85CC	12 x φ19	12 x φ18	10 x φ16	3	61	

M80A



Face	Diameter		Part No.	No. x Button (mm)			Flushing holes	Weight
	Dia.	Inch		Outer	Inner	Front		kg
Concave	200	7 7/8	200MM80CC	10 x φ19	8 x φ18	6 x φ16	2	41
	203	8	203MM80CC	10x φ19	8 x φ18	6 x φ16	2	42
	222	8 3/4	222MM80CC	12 x φ19	9 x φ18	8 x φ16	3	48
	225	8 7/8	225MM80CC	12 x φ19	9 x φ18	8 x φ16	3	49
	240	9 1/2	240MM80CC	12 x φ19	9 x φ18	9 x φ16	3	50
	245	9 2/3	245MM80CC	12 x φ19	9 x φ18	9 x φ16	3	51
	251	9 7/8	251MM80CC	12 x φ19	12 x φ18	10 x φ16	3	53
254	10	254MM80CC	12 x φ19	12 x φ18	10 x φ16	3	54	

SD8



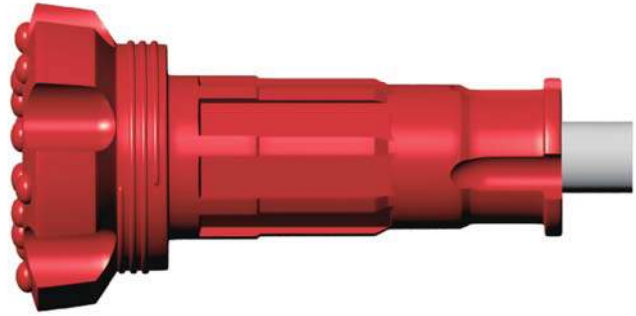
Face	Diameter		Part No.	No. x Button (mm)			Flushing holes	Weight
	Dia.	Inch		Outer	Inner	Front		kg
Concave	200	7 7/8	200MSD8CC	10 x φ19	8 x φ18	6 x φ16	2	41
	203	8	203MSD8CC	10 x φ19	8 x φ18	6 x φ16	2	42
	222	8 3/4	222MSD8CC	12 x φ19	9 x φ18	8 x φ16	3	48
	225	8 7/8	225MSD8CC	12 x φ19	9 x φ18	8 x φ16	3	49
	240	9 1/2	240MSD8CC	12 x φ19	9 x φ18	9 x φ16	3	50
	245	9 2/3	245MSD8CC	12 x φ19	9 x φ18	9 x φ16	3	51
	251	9 7/8	251MSD8CC	12 x φ19	12 x φ18	10 x φ16	3	53
	254	10	254MSD8CC	12 x φ19	12 x φ18	10 x φ16	3	54

QL80



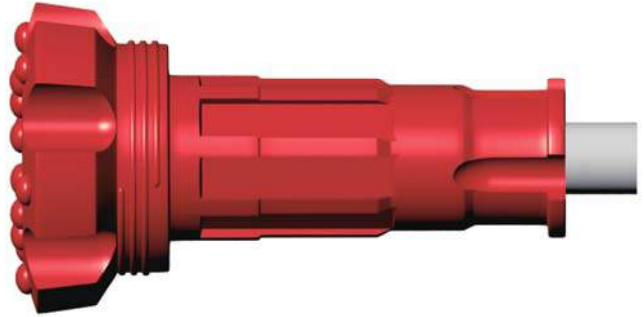
Face	Diameter		Part No.	No. x Button (mm)			Flushing holes	Weight
	Dia.	Inch		Outer	Inner	Front		kg
Concave	200	7 7/8	200MQL80CC	10 x φ19	8 x φ18	6 x φ16	2	49
	203	8	203MQL80CC	10 x φ19	8 x φ18	6 x φ16	2	50
	222	8 3/4	222MQL80CC	12 x φ19	9 x φ18	8 x φ16	3	56
	225	8 7/8	225MQL80CC	12 x φ19	9 x φ18	8 x φ16	3	57
	240	9 1/2	240MQL80CC	12 x φ19	9 x φ18	9 x φ16	3	58
	245	9 2/3	245MQL80CC	12 x φ19	9 x φ18	9 x φ16	3	59
	251	9 7/8	251MQL80CC	12 x φ19	12 x φ18	10 x φ16	3	61
	254	10	254MQL80CC	12 x φ19	12 x φ18	10 x φ16	3	62

SD10



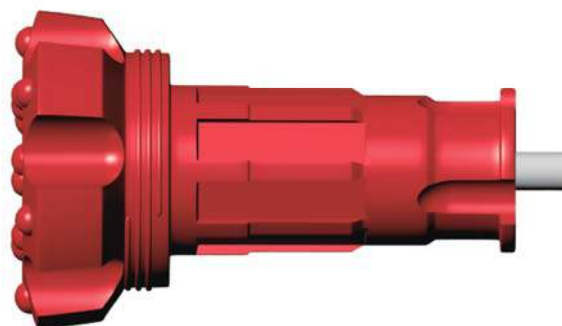
Face	Diameter		Part No.	No. x Button (mm)			Flushing holes	Weight
	Dia.	Inch		Outer	Inner	Front		kg
Concave	254	10	254MSD10CC	12 x \varnothing 19	6x \varnothing 19+6x \varnothing 18	10 x \varnothing 16	3	84
	270	10 5/8	270MSD10CC	12 x \varnothing 19	9x \varnothing 19+6x \varnothing 18	8 x \varnothing 16	3	89
	279	11	279MSD10CC	12 x \varnothing 19	9x \varnothing 19+6x \varnothing 18	9 x \varnothing 16	3	91
	305	12	305MSD10CC	12 x \varnothing 19	15 x \varnothing 19	12 x \varnothing 16	3	112

NUMA100



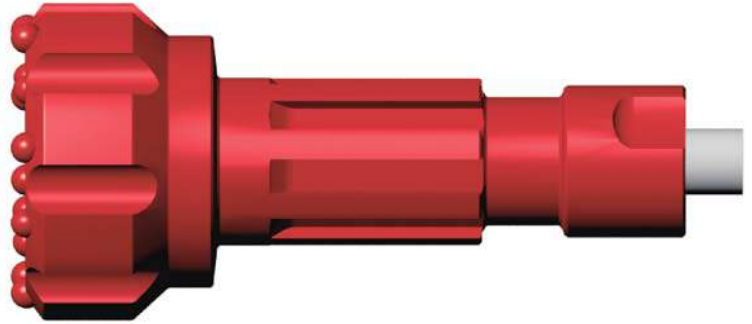
Face	Diameter		Part No.	No. x Button (mm)			Flushing holes	Weight kg
	Dia.	Inch		Outer	Inner	Front		
Concave	254	10	254MN100CC	12 x \varnothing 19	6x \varnothing 19+6x \varnothing 18	10 x \varnothing 16	3	89
	270	10 5/8	270MN100CC	12 x \varnothing 19	9x \varnothing 19+6x \varnothing 18	8 x \varnothing 16	3	94
	279	11	279MN100CC	12 x \varnothing 19	9x \varnothing 19+6x \varnothing 18	9 x \varnothing 16	3	96
	305	12	305MN100CC	12 x \varnothing 19	15 x \varnothing 19	12 x \varnothing 16	3	107

SD12



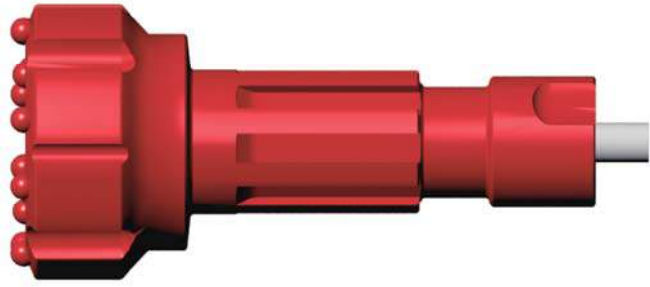
Face	Diameter		Part No.	No. x Button (mm)			Flushing holes	Weight kg
	Dia.	Inch		Outer	Inner	Front		
Concave	305	12	305MSD12CC	15 x φ19	15 x φ19	12 x φ16	3	119
	311	12 1/4	311MSD12CC	15 x φ19	15 x φ19	13 x φ16	3	121
	350	13 3/4	350MSD12CC	15 x φ19	9xφ19+15xφ18	15 x φ16	3	169
	380	15	380MSD12CC	18 x φ19	12xφ19+15xφ18	21 x φ16	3	190
	400	15 3/4	400MSD12CC	18 x φ19	30 x φ19	22 x φ16	3	200

DHD1120



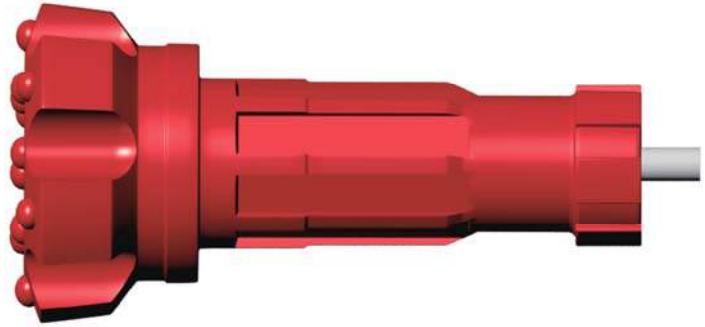
Face	Diameter		Part No.	No. x Button (mm)			Flushing holes	Weight kg
	Dia.	Inch		Outer	Inner	Front		
Concave	305	12	305MD1120CC	15 x \varnothing 19	15 x \varnothing 19	12 x \varnothing 16	3	147
	311	12 1/4	305MD1120CC	15 x \varnothing 19	15 x \varnothing 19	13 x \varnothing 16	3	148
	350	13 3/4	305MD1120CC	15 x \varnothing 19	9x \varnothing 19+15x \varnothing 18	15 x \varnothing 16	3	167
	380	15	305MD1120CC	18 x \varnothing 19	12x \varnothing 19+15x \varnothing 18	21 x \varnothing 16	3	188
	400	15 3/4	305MD1120CC	18 x \varnothing 19	30 x \varnothing 19	22 x \varnothing 16	3	198

NUMA120



Face	Diameter		Part No.	No. x Button (mm)			Flushing holes	Weight kg
	Dia.	Inch		Outer	Inner	Front		
Concave	305	12	305MN120CC	15 x φ19	15 x φ19	12 x φ16	3	154
	311	12 1/4	311MN120CC	15 x φ19	15 x φ19	13 x φ16	3	156
	350	13 3/4	350MN120CC	15 x φ19	9xφ19+15xφ18	15 x φ16	3	174
	380	15	380MN120CC	18 x φ19	12xφ19+15xφ18	21 x φ16	3	195
	400	15 3/4	400MN120CC	18 x φ19	30 x φ19	22 x φ16	3	205

NUMA125



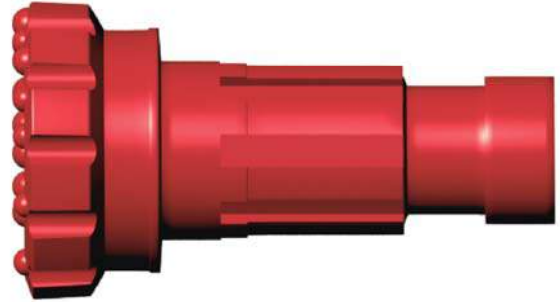
Face	Diameter		Part No.	No. x Button (mm)			Flushing holes	Weight
	Dia.	Inch		Outer	Inner	Front		kg
Concave	305	12	305MN125CC	15 x φ19	15 x φ19	12 x φ16	3	177
	311	12 1/4	305MN125CC	15 x φ19	15 x φ19	13 x φ16	3	179
	350	13 3/4	305MN125CC	15 x φ19	9xφ19+15xφ18	15 x φ16	3	197
	380	15	305MN125CC	18 x φ19	12xφ19+15xφ18	21 x φ16	3	218
	400	15 3/4	305MN125CC	18 x φ19	30 x φ19	22 x φ16	3	228

MD330



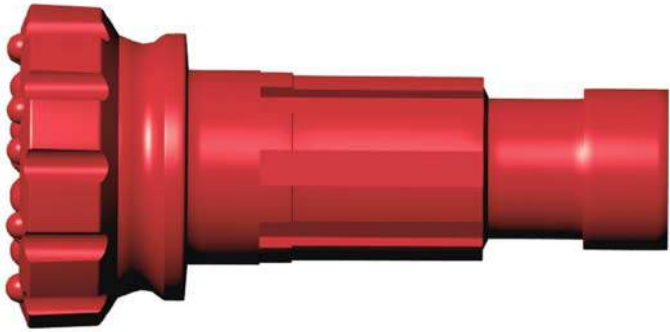
Face	Diameter		Part No.	No. x Button (mm)		Flushing holes	Weight kg
	Dia.	Inch		Gauge Buttons	Front Buttons		
Concave	381	15	381MD330CC	15 x φ19	40 x φ19	3	237
	391	15 3/8	391MD330CC	15 x φ19	40 x φ19	3	244
	413	16 1/4	413MD330CC	15 x φ19	44 x φ19	3	232
	438	17 1/4	438MD330CC	18 x φ19	43 x φ19	3	282
	445	17 1/2	445MD330CC	18 x φ19	44 x φ19	3	282
	451	17 3/4	451MD330CC	18 x φ19	45 x φ19	3	289
	457	18	457MD330CC	18 x φ25.4	46 x φ19	3	295
	464	18 1/4	464MD330CC	18 x φ25.4	47 x φ19	3	299
	483	19	483MD330CC	20 x φ25.4	48 x φ19	3	330
	508	20	508MD330CC	20 x φ25.4	49 x φ19	3	342

MD450



Face	Diameter		Part No.	No. x Button (mm)		Flushing holes	Weight
	Dia.	Inch		Gauge Buttons	Front Buttons		kg
Concave	483	19	483MD450CC	20 x \varnothing 25.4	57 x \varnothing 19	3	330
	508	20	508MD450CC	20 x \varnothing 25.4	61 x \varnothing 19	3	342
	560	22	560MD450CC	16 x \varnothing 25.4	50 x \varnothing 25.4	4	505
	578	22 3/4	578MD450CC	16 x \varnothing 25.4	50 x \varnothing 25.4	4	523
	610	24	610MD450CC	16 x \varnothing 25.4	59 x \varnothing 25.4	4	545
	660	26	660MD450CC	24 x \varnothing 25.4	69 x \varnothing 25.4	6	610

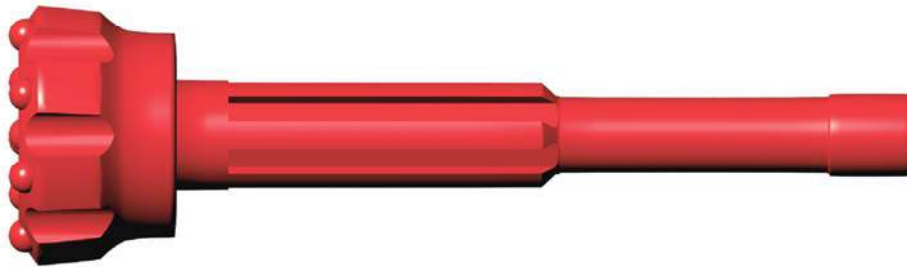
MD525



Face	Diameter		Part No.	No. x Button (mm)			Flushing holes	Weight
	Dia.	Inch		Gauge Buttons	Front Buttons			kg
					Outer	Inner		
Concave	660	26	660MD525CC	44 x ϕ 20	64 x ϕ 19	24 x ϕ 20	4	863
	720	28 1/3	660MD525CC	44 x ϕ 20	84 x ϕ 19	24 x ϕ 20	4	988

Face	Diameter		Part No.	No. x Button (mm)			Flushing holes	Weight
	Dia.	Inch		Gauge Buttons	Front Buttons			kg
					Outer	Inner		
Convex	775	30 1/2	775MD525CV	56 x ϕ 20	116 x ϕ 19	44 x ϕ 19	4	1330

Long Shank Bit



Diameter	Gauge	Front	Flushing holes	Weight(kg)	Part-No
90	9×11	7×11	3×8	5.8	MROD76-90
95	9×12	7×11	3×8	6.0	MROD76-95
105	9×12	7×12	3×10	6.4	MROD76-105
105	9×13	7×12	3×13	9.1	MROD89-105
115	9×14	6×14	3×13	9.7	MROD89-115
127	9×14	7×14	3×13	10.6	MROD89-127
115	9×14	6×14	3×13	12.6	MROD102-115
127	9×14	7×14	3×13	13.2	MROD102-127
140	9×16	9×16	3×13	14.5	MROD102-140
140	9×16	9×16	3×15	21.3	MROD127-140
152	9×16	9×16	3×15	23.1	MROD127-152
165	10×16	10×16	3×15	23.9	MROD127-165



KEMAICO USA CORPORATION

 Address: 300 Knightsbridge Pkwy Ste.113 , Lincolnshire , IL 60069

 Tel: 1-847-9136878 Fax:1-847-9136879

 Email: office@kemaico.com info@kemaico.com

 Web: www.kemaico.com

