

## Plug Hole Rod



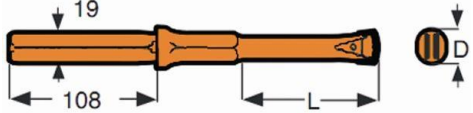
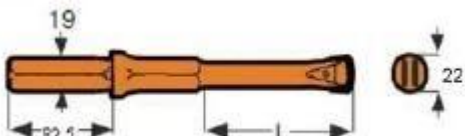
Plug Hole Rod are widely applicable to boring and drilling in the industries of stone-quarrying, mineral-quarrying, water conservancy, transport, military industry, geology and civil engineering etc, also it can be used for drilling bore hole diameter from 24mm to 44mm usually.

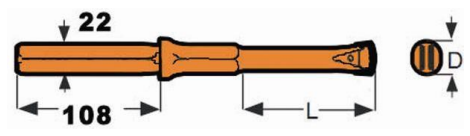
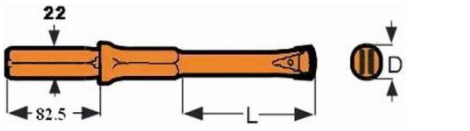
According to different application, different lengths are available.

(1)Steel grade: 95CrMo equivalent to SANDBAR 20 or C253, 55SiMnMo

(2)Shank size: hex19mm, hex.22mm

(3)Head Diameter: 24mm-44m

Plug hole rod	L			Part No.	Weight Kg
	mm	Ft.	inch		
HEX19*108 	230	—	9 1/8"	01190231	1.09
	250	—	9 7/8"	01190251	1.05
	300	—	11 7/8"	01190301	1.20
	350	1'	1 3/4"	01190351	1.35
	400	1'	3 3/4"	01190401	1.50
	500	1'	7 3/4"	01190501	1.80
HEX19*82.5 	230	—	9 1/8"	01190232	0.77
	250	—	9 7/8"	01190252	0.79
	300	—	11 7/8"	01190302	0.84
	350	1'	1 3/4"	01190352	0.89
	400	1'	3 3/4"	01190402	0.94
	500	1'	7 3/4"	01190502	1.04

<p>HEX22*108</p> 	230	—	9 1/8"	01220231	1.09
	250	—	9 7/8"	01220251	1.15
	300	—	11 7/8"	01220301	1.29
	350	1'	1 3/4"	01220351	1.43
	400	1'	3 3/4"	01220401	1.57
	500	1'	7 3/4"	01220501	1.84
<p>HEX22*82.5</p> 	230	—	9 1/8"	01220232	1.15
	250	—	9 7/8"	01220252	1.25
	300	—	11 7/8"	01220302	1.50
	350	1'	1 3/4"	01220352	1.75
	400	1'	3 3/4"	01220402	2.00
	500	1'	7 3/4"	01220502	2.50